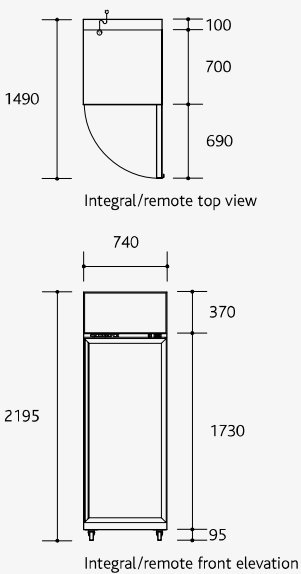


SK2000 - GLASS DOORS

Model	Weight (kg)	Integral/Remote	Chiller/Freezer
SK2000	360	Integral	Chiller
SK2000r	320	Remote	Chiller

	External (mm)	Internal (mm)	Integral
Height*	2195	1560	Gross Volume 1825 litres
Width	2220	2070	Total Shelf Area 5.17m ² (inc. floor)
Depth	700	520	Floor Area 1.55m ²

- Remote refrigeration duty 1360 Watts
- Minimum 200mm clear ventilation space required above cabinet top



SKF650 - SOLID/GLASS DOOR

Model	Weight (kg)	Integral/Remote	Chiller/Freezer
SKF650	199	Integral	Freezer
SKF650r	175	Remote	Freezer

	External (mm)	Internal (mm)	Integral
Height*	2195	1560	Gross Volume 520 litres
Width	740	590	Total Shelf Area 1.43m ² (inc. floor)
Depth	700**	555	Floor Area 0.518m ²

- Remote refrigeration duty 820 Watts
- Minimum 200mm clear ventilation space required above cabinet top

SK2000
3 DOOR

SKF650
1 DOOR

*Height includes castors or legs **Depth excludes 100mm back airflow spacer