



# griddle

**MODEL: WGDA50**

## APPLICATIONS

- Large flat surfaced fryer for burgers, bacon, eggs, steaks etc.

## CAPACITY GUIDE

- 8 x 7 oz steaks or equivalent

## STANDARD FEATURES

- 8mm thick cast steel hot plate - 520mm x 330mm
- Removable grease drain drawer
- Thermostat control and pilot light to indicate power on
- Stainless steel construction
- Supplied with 10 amp plug - operates from a standard power point

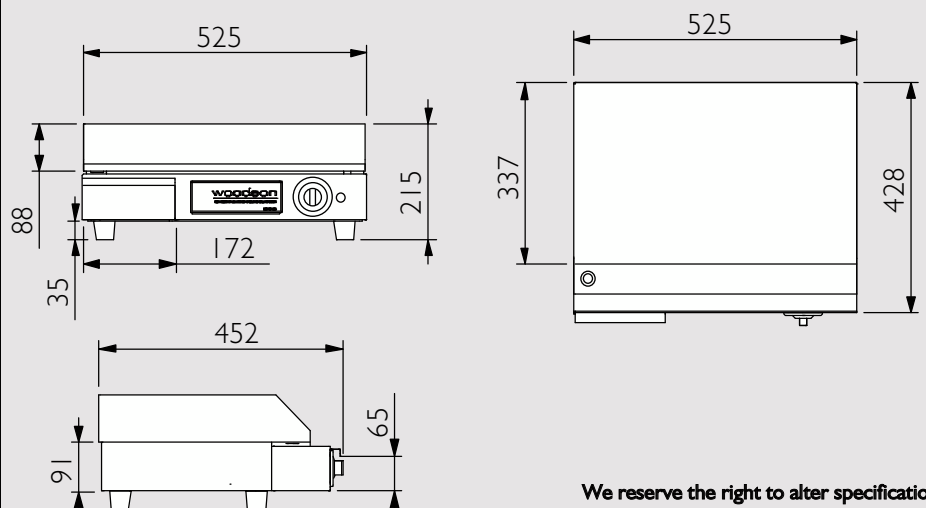
## SPECIFICATIONS

Kw 2.4		Amps 10
Width 530	Depth 450	Height 225
Weight 20 kg		

**Dealer:**



**WGDA50**



We reserve the right to alter specifications of products without notice

### For details of your local dealer contact:

<p>QLD, NT, WA, International ph 07 3344 2444 fax 07 3345 6403 email fse@stoddart.com.au</p>	<p>NSW, ACT ph 02 9817 7700 fax 02 9817 7800 email gladesville@stoddart.com.au</p>	<p>VIC, SA, TAS ph 03 9706 5250 fax 03 9706 5290 email melbourne@stoddart.com.au</p>
--	--	--

Manufactured by: Tom Stoddart Pty Ltd, 215 Jackson Road Sunnybank Hills, Qld 4109 Australia