



large griddle

MODEL: WGDA60

APPLICATIONS

- Large flat surfaced fryer for burgers, bacon, eggs, steaks etc.

CAPACITY GUIDE

- 14 x 7 oz steaks or equivalent

STANDARD FEATURES

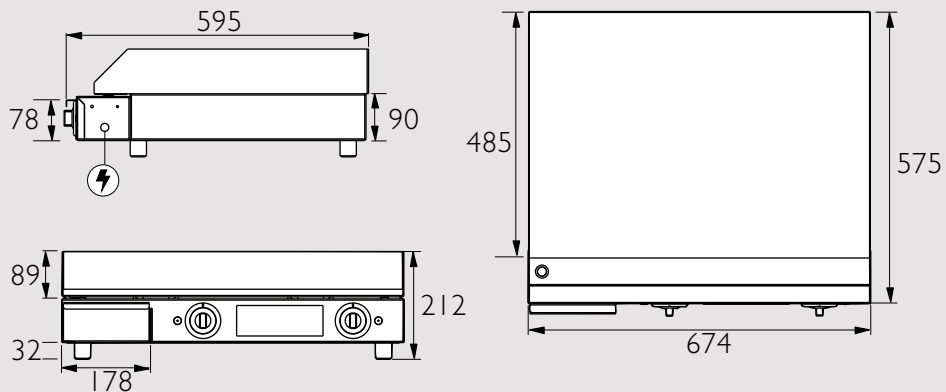
- 8mm thick cast steel hot plate - 670mm x 484mm cooking area
- Removable grease drain drawer
- Dual thermostat control for half cooking area feature and pilot light to indicate power on
- Stainless steel construction
- Supplied with 20 amp plug and lead.



WGDA60

SPECIFICATIONS

	Kw 4.8	Amps 20
Width	674	Depth 595
		Height 212



We reserve the right to alter specifications of products without notice

Dealer:

For details of your local dealer contact:

QLD, NT, WA, International ph 07 3344 2444 fax 07 3345 6403 email fse@stoddart.com.au	NSW, ACT ph 02 9817 7700 fax 02 9817 7800 email gladesville@stoddart.com.au	VIC, SA, TAS ph 03 9543 9922 fax 03 9543 9944 email melbourne@stoddart.com.au
---	---	---

Manufactured by: Tom Stoddart Pty Ltd, 215 Jackson Road Sunnybank Hills, Qld 4109 Australia