

Electrolux Salamander

Adjustable top salamanders

Electrolux salamanders are perfect for grilling and gratin-baking your dishes. The range offers models for table-top or wall installation, with different grid-sizes and installed power. The salamanders on this sheet have electric heat radiation from the top that can be moved vertically. Both sides of the salamander are open, for ease of use and rapid cooling.



Model 775302

EASY TO INSTALL

- Table-top model.

EASY TO CLEAN

- Manufactured entirely in stainless steel AISI 304.
- Easy to remove cooking grid and drip tray.

EASY TO USE

- Top with heating element can be moved vertically to guarantee perfect result.
- Open sides for rapid cooling and ease of use.
- Available with 1 or 2 heating elements with separate control.

EASY TO MAINTAIN

- Meets the requirements of CE for safety.

EASY ON THE ENVIRONMENT

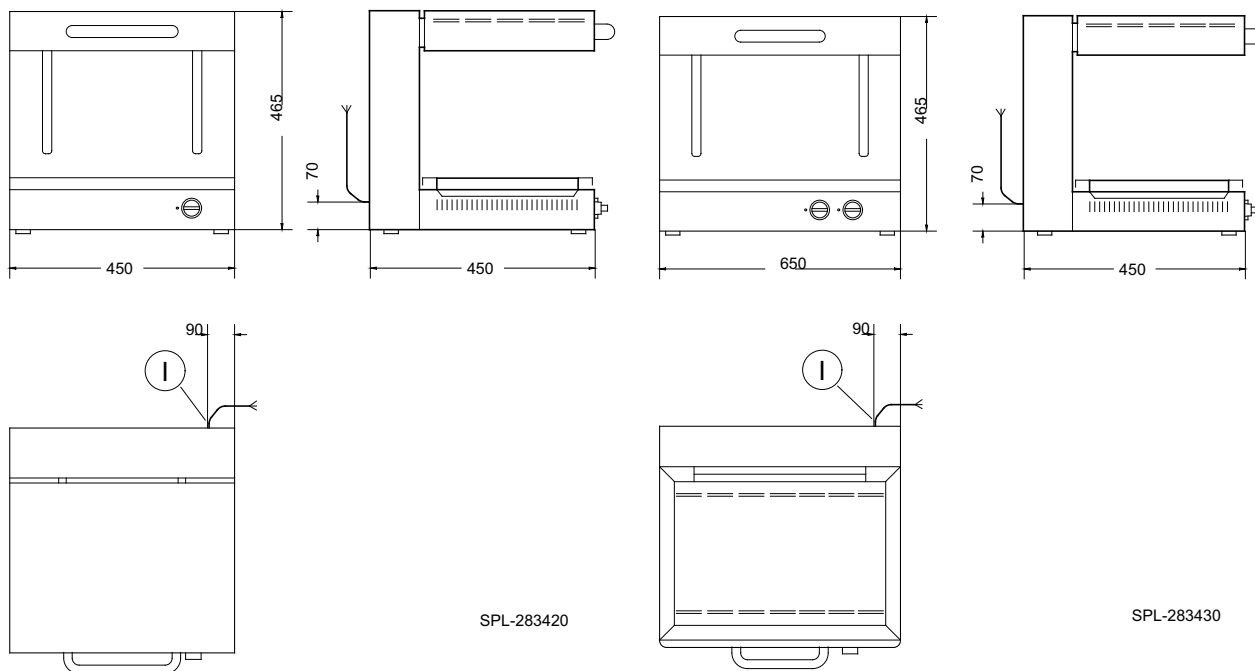
- 98% recyclable by weight.



Electrolux

775301

775302



Electrolux Salamander

Adjustable top salamanders

DEAC030

2008-07-24

| | SALE04 775301 | SALE06 775302 |
|---------------------------|----------------------|----------------------|
| LEGEND | | |
| I - Electrical connection | 220/240 V, 1N, 50/60 | 220/240 V, 1N, 50/60 |
| TECHNICAL DATA | | |
| Power supply | Electric | Electric |
| External dimensions - mm | | |
| width | 450 | 650 |
| depth | 450 | 450 |
| height | 465 | 465 |
| Power - kW | | |
| installed-electric | 2 | 3.8 |
| Net weight - kg. | 50 | 50 |

Subject to change without notice