



contact toaster 4/6 slice

MODEL: WCT6

APPLICATIONS

- Ideal for toasting sandwiches, focaccias, kebabs etc.

CAPACITY GUIDE

- 4-6 slices on large 393mm x 338mm

STANDARD FEATURES

- Bottom and top heated plates hold heat fast, flavourful and extremely even toasting
- Spring balanced top platen forms the optimum seal around food
- Ultra-smooth plate with drain groove to front makes cleaning easier
- Full stainless steel body and lift mechanism including insulated handle - heavy duty construction means longer life
- Removable front mounted grease tray
- Flexible metal conduit to upper plate, with cast fitting to base to prevent damage
- Thermostat control & indicator light
- Non-slip rubber feet

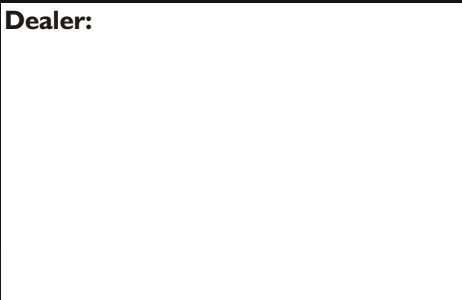


WCT6

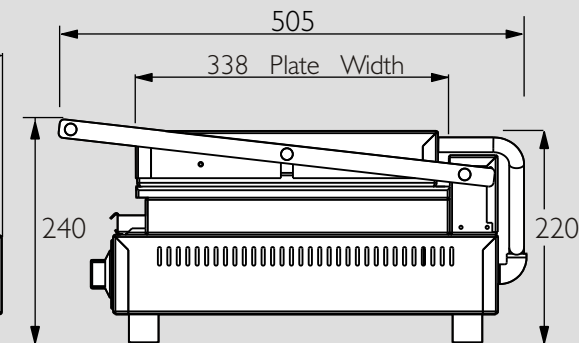
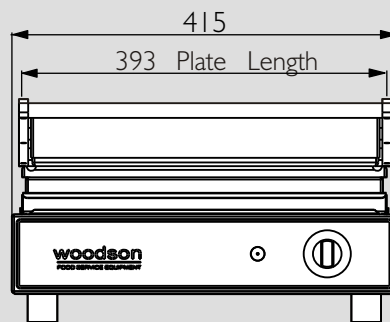
SPECIFICATIONS

Kw	2.1	Amps	10
Width	415	Depth	505
		Height	240

Dealer:



⚡ Power cable located at rear of unit on the left hand end.



We reserve the right to alter specifications of products without notice

For details of your local dealer contact:

QLD
Tel: 07 3344 4144
Fax: 07 3344 4143
fse@stoddart.com.au

NSW
Tel: 02 8884 9999
Fax: 02 8884 9900
sydney@stoddart.com.au

VIC & TAS
Tel: 03 5956 7377
Fax: 03 5956 7474
melbourne@stoddart.com.au

WA
Tel: 08 948 2177
Fax: 08 948 2588
perth@stoddart.com.au

SA & NT
Tel: 1300 979 4954
adelaide@stoddart.com.au