



# salamander

**MODEL: WGLS30**

**APPLICATIONS**

- Ideal for toasting and grilling foods such as cheese, au gratin, fish etc.

**CAPACITY GUIDE**

- 10-12 slices

**STANDARD FEATURES**

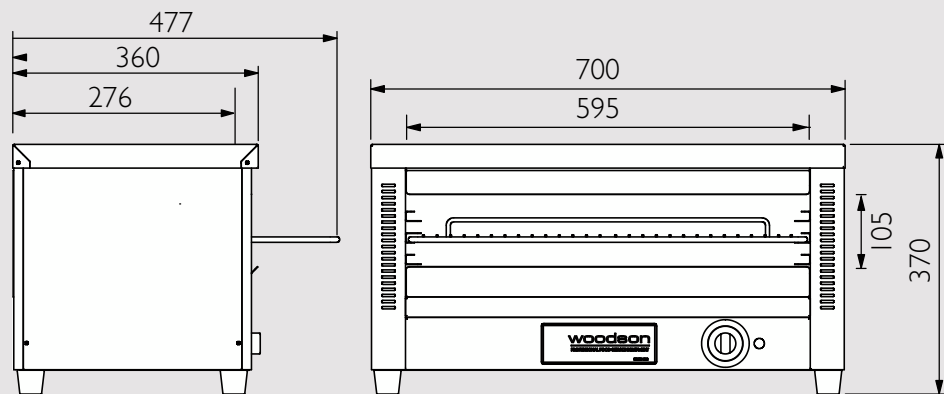
- Large capacity griller and warmer
- Supplied with heavy duty chrome wire rack (595 x 255mm)
- 3 height settings
- Top element with simmerstat controls
- Pilot light to indicate element is on
- Stainless steel construction in bright annealed finish
- Supplied with 15 amp plug and lead



**SPECIFICATIONS**

Kw 3.2	Weight 18kg
Width 700	Depth 490
	Height 370

**WGLS30**



⚡ Power cable located at back left hand side of unit

We reserve the right to alter specifications of products without notice

**Dealer:**

**For details of your local dealer contact:**

<p>QLD, NT, WA, International ph 07 3344 2444 fax 07 3345 6403 email fse@stoddart.com.au</p>	<p>NSW, ACT ph 02 9817 7700 fax 02 9817 7800 email gladesville@stoddart.com.au</p>	<p>VIC, SA, TAS ph 03 9706 5250 fax 03 9706 5290 email melbourne@stoddart.com.au</p>
--	--	--