

Electric Char-grill Tops

The Elco 700HP range is comprised of over 100 models designed to guarantee the highest level of performance, reliability, energy saving, safety standards and ergonomic operation. These concepts are reflected in the total modularity of the range that ensures numerous configurations, either free-standing or bridged. Elco 700HP demonstrates how advanced technology can satisfy the needs of the professional caterer. The models detailed on this sheet are Electric Char-grill Tops.



178696

EASY TO INSTALL

- Main connections can be accessed via the rear or base of the unit.

EASY TO CLEAN

- One piece pressed worktop in 1,5mm stainless steel with smooth, rounded corners.
- Front panel in stainless steel with Scotch Brite finish.
- All models have right-angled, laser cut side edges to allow flush-fitting joints between units eliminating gaps and possible dirt traps.
- Stainless steel grids and splashguard on three sides.

EASY TO USE

- Incoloy armoured heating elements.
- Each half module is provided with one bank of three heating elements (2 kW each).
- "Power ON" indicator light.
- Feet in stainless steel adjustable in height 50mm.

EASY TO MAINTAIN

- IPX4 water protection.

EASY ON THE ENVIRONMENT

- 98% recyclable by weight.
- CFC free packaging.



Electrolux

**Elco 700HP
Electric Char-grill Tops**

CGIC010

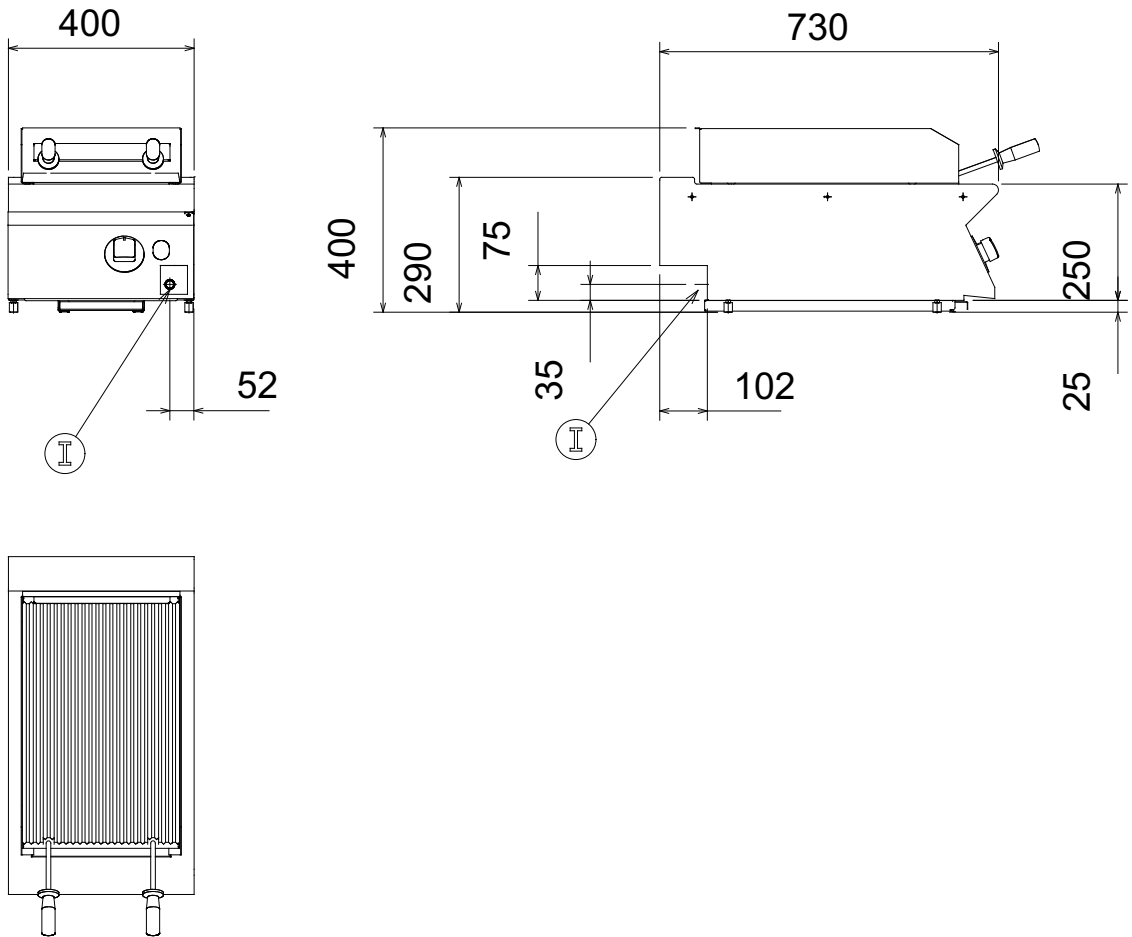
2008-12-20

	QGE400T 178696	QGE400T2 178706	QGE800T 178697	QGE800T2 178707
TECHNICAL DATA				
Power supply	Electric	Electric	Electric	Electric
External dimensions - mm				
width	400	400	800	800
depth	730	730	730	730
height	250	250	250	250
Power - kW				
installed-electric	6	6	12	12
Net weight - kg.	32	32	42	42
Supply voltage	400 V, 3N, 50/60	230 V, 3, 50/60	400 V, 3N, 50/60	230 V, 3, 50/60
INCLUDED ACCESSORIES				
S/S GRID+DRAINAGE CHANNELS F. GRILL TOPS	1	1	2	1
ACCESSORIES				
2 SIDE COVERING PANELS FOR TOP-D=700MM	216277	216277	216277	216277
CAST IRON GRID FOR GRILL TOPS	921643	921643	921643	921643
CHIMNEY COVER 400MM CLOSED	206269	206269		
CHIMNEY COVER 400MM OPEN	206284	206284		
CHIMNEY COVER 800MM CLOSED			206271	206271
CHIMNEY COVER 800MM OPEN-LARGE CHIMNEY			206273	206273
FRONTAL HANDRAIL 1200 MM	216049	216049	216049	216049
FRONTAL HANDRAIL 1600 MM	216050	216050	216050	216050
FRONTAL HANDRAIL 400 MM	216046	216046	216046	216046
FRONTAL HANDRAIL 800 MM	216047	216047	216047	216047
LARGE HANDRAIL(PORTIONING SHELF)400 MM	216185	216185	216185	216185
LARGE HANDRAIL(PORTIONING SHELF)800 MM	216186	216186	216186	216186
SCRAPER FOR GRID W/DRAINAGE - GRILL TOPS	921614	921614	921614	921614

Subject to change without notice

Elco 700HP
Electric Char-grill Tops

178696, 178706



LEGEND	QGE400T 178696	QGE400T2 178706
	I - Electrical connection	400 V, 3N, 50/60

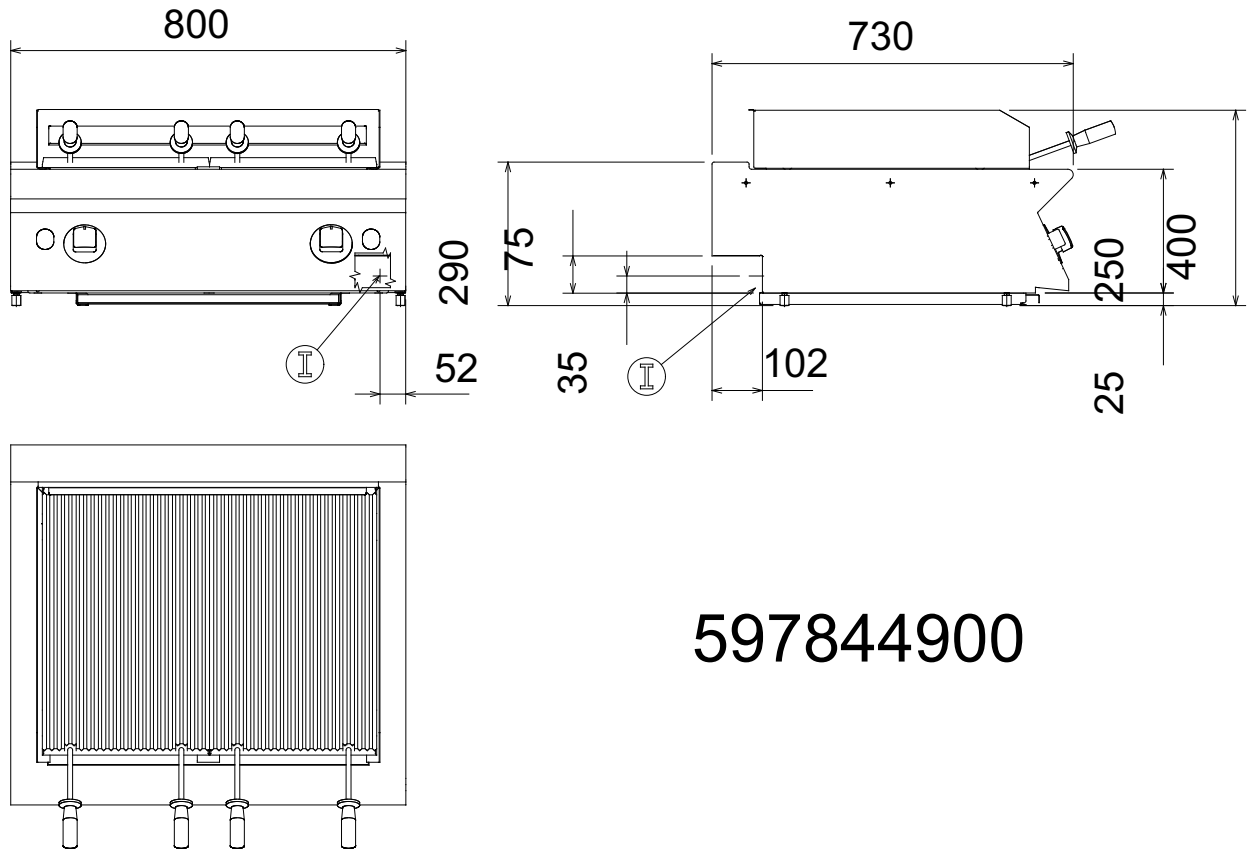
CGIC010

2008-12-20

Subject to change without notice

Elco 700HP
Electric Char-grill Tops

178697, 178707



597844900

LEGEND	QGE800T 178697	QGE800T2 178707
	I - Electrical connection	400 V, 3N, 50/60

CGIC010

2008-12-20

Subject to change without notice