

Freestanding Gas Char-grills

The Elco 700HP range is comprised of over 100 models designed to guarantee the highest level of performance, reliability, energy saving, safety standards and ergonomic operation. These concepts are reflected in the total modularity of the range that ensures numerous configurations, either free-standing or bridged. Elco 700HP demonstrates how advanced technology can satisfy the needs of the professional caterer. The models detailed on this sheet are Freestanding Gas Char-grills.



178690

EASY TO INSTALL

- Main connections can be accessed via the rear or base of the unit.

EASY TO CLEAN

- One piece pressed worktop in 1,5mm stainless steel with smooth, rounded corners.
- Front panel in stainless steel with Scotch Brite finish.
- All models have right-angled, laser cut side edges to allow flush-fitting joints between units eliminating gaps and possible dirt traps.

EASY TO USE

- Stainless steel burners, each consisting of 3 high power gas rails. The gas burners are protected by stainless steel deflection trays to prevent blockage from foreign objects.
- Each ½ module has a separate control for the burner with a flame failure device.
- Feet in stainless steel adjustable in height 50mm.
- Cast-iron grids with draining channel for fat and stainless steel splashguard on three sides.
- Multi purpose cast iron grids:
 - One side for meats
 - One side for fish and vegetables
- All gas appliances are supplied for use with natural gas or LPG. Conversion jets supplied as standard.

EASY TO MAINTAIN

- IPX4 water protection.

EASY ON THE ENVIRONMENT

- 98% recyclable by weight.
- CFC free packaging.



Electrolux

**Elco 700HP
Freestanding Gas Char-grills**

	QGG400 178690	QGG800 178691
TECHNICAL DATA		
Power supply	Gas	Gas
External dimensions - mm		
width	400	800
depth	730	730
height	850	850
height adjustment	50	50
Power - kW		
gas	8	16
Net weight - kg.	40	75
ACCESSORIES		
2 SIDE COVERING PANELS FOR TOP-D=700MM	216277	216277
2 SIDE COVERING PANELS H=700 D=700	216000	216000
2 SIDE KICKING STRIPS-CONCRETE INSTALL.	206265	206265
4 FEET FOR CONCRETE INSTALLATION	206210	206210
CHIMNEY COVER 400MM CLOSED	206269	
CHIMNEY COVER 800MM CLOSED		206271
FLANGED FEET KIT	206136	206136
FRONT.KICK.STRIP F.CONCRETE INST.1000 MM	206150	206150
FRONT.KICK.STRIP F.CONCRETE INST.1200 MM	206151	206151
FRONT.KICK.STRIP F.CONCRETE INST.1600 MM	206152	206152
FRONT.KICK.STRIP F.CONCRETE INST.200 MM	206146	206146
FRONT.KICK.STRIP F.CONCRETE INST.400 MM	206147	206147
FRONT.KICK.STRIP F.CONCRETE INST.800 MM	206148	206148
FRONTAL HANDRAIL 1200 MM	216049	216049
FRONTAL HANDRAIL 1600 MM	216050	216050
FRONTAL HANDRAIL 400 MM	216046	216046
FRONTAL HANDRAIL 800 MM	216047	216047
FRONTAL KICKING STRIP 1000 MM	206177	206177
FRONTAL KICKING STRIP 1200 MM	206178	206178
FRONTAL KICKING STRIP 1600 MM	206179	206179
FRONTAL KICKING STRIP 200 MM	206174	206174
FRONTAL KICKING STRIP 400 MM	206175	206175
FRONTAL KICKING STRIP 800 MM	206176	206176
LARGE HANDRAIL(PORTIONING SHELF)400 MM	216185	216185
LARGE HANDRAIL(PORTIONING SHELF)800 MM	216186	216186
PAIR OF SIDE KICKING STRIPS	206249	206249
PRESSURE REGULATOR FOR GAS UNITS	927225	927225
RIGHT AND LEFT SIDE HANDRAILS	206240	206240
S/S GRID+DRAINAGE CHANNELS-FREEST.GRILLS	206287	206287
WATER FILLING TAP-GAS/EL FS GRILLS-400MM	206280	
WATER FILLING TAP-GAS/EL FS GRILLS-800MM		206281

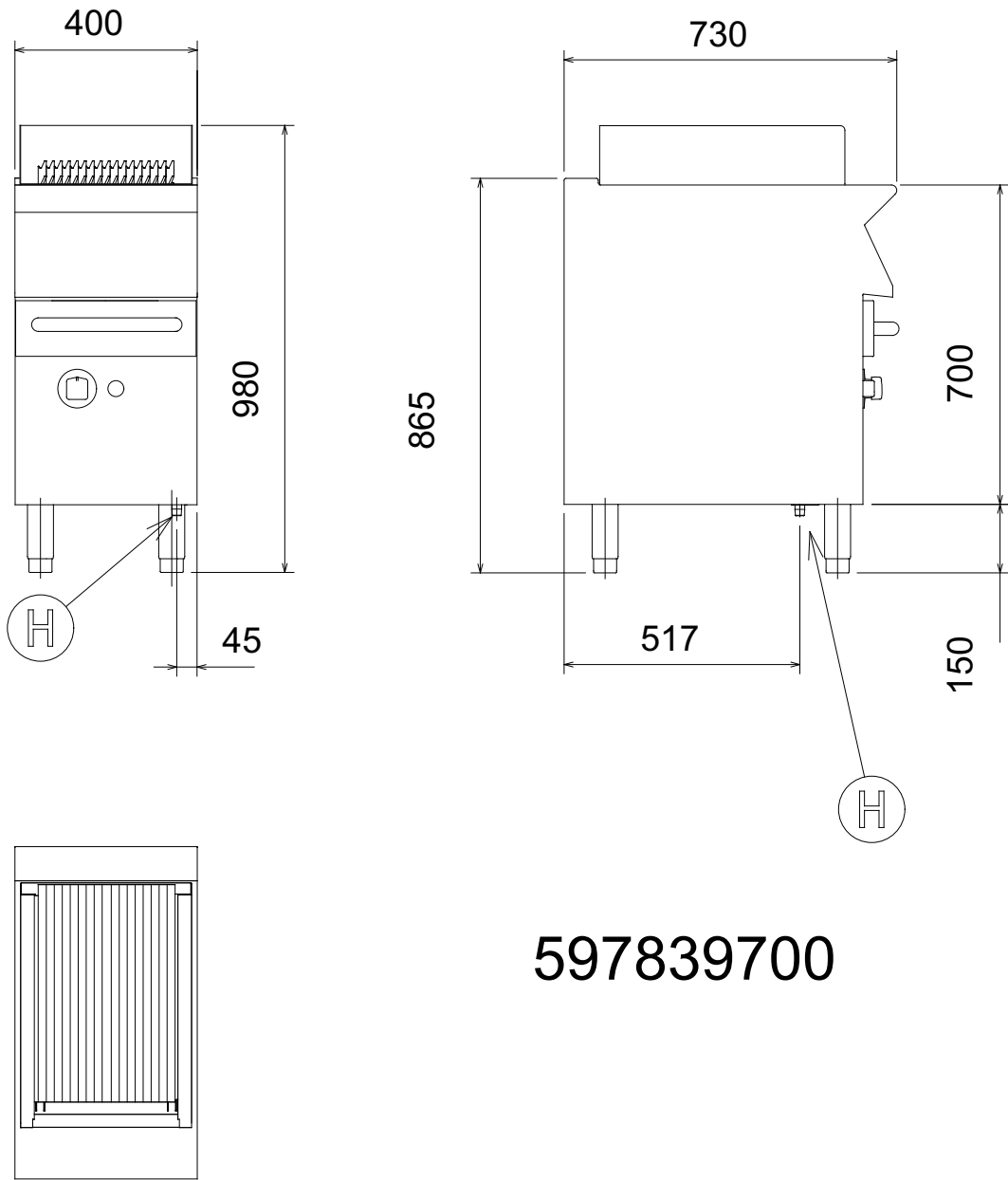
CGIA010

2008-12-20

Subject to change without notice

Elco 700HP
Freestanding Gas Char-grills

178690



597839700

LEGEND
H - Gas connection

QGG400
178690

1/2"

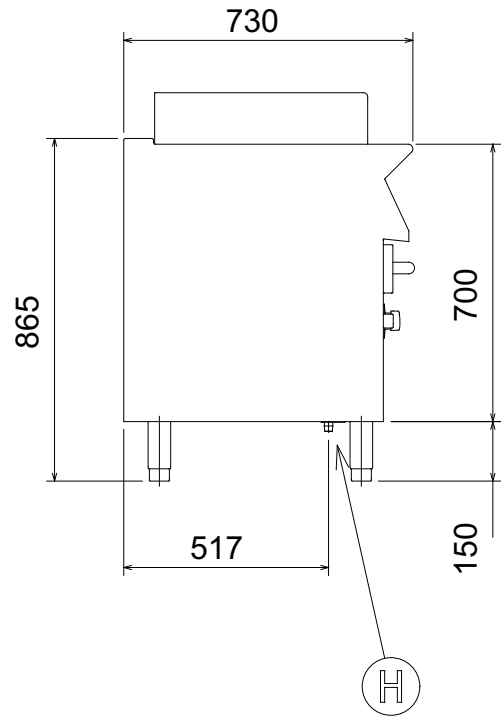
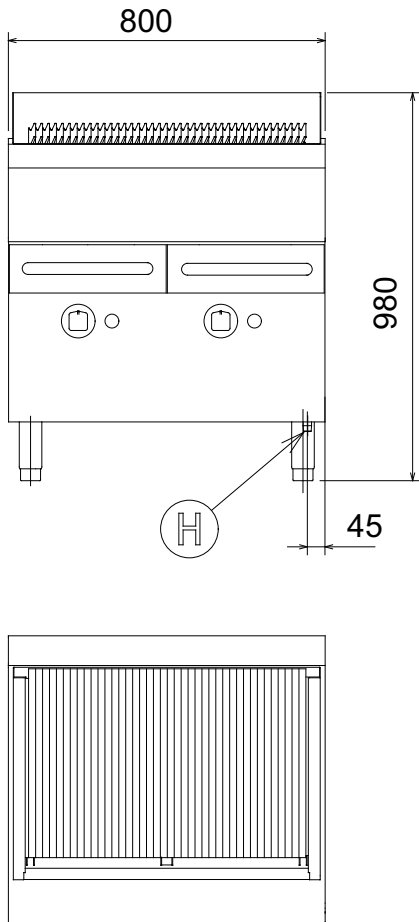
CGIA010

2008-12-20

Subject to change without notice

Elco 700HP
Freestanding Gas Char-grills

178691



597839800

LEGEND
H - Gas connection

QGG800
178691

1/2"

CGIA010

2008-12-20

Subject to change without notice