

Gas Lava Stone Grill Tops

The Elco 700HP range is comprised of over 100 models designed to guarantee the highest level of performance, reliability, energy saving, safety standards and ergonomic operation. These concepts are reflected in the total modularity of the range that ensures numerous configurations, either free-standing or bridged. Elco 700HP demonstrates how advanced technology can satisfy the needs of the professional caterer. The models detailed on this sheet are Gas Lava Stone Grill Tops.



178695

EASY TO INSTALL

- Main connections can be accessed via the rear or base of the unit.

EASY TO CLEAN

- One piece pressed worktop in 1,5mm stainless steel with smooth, rounded corners.
- Front panel in stainless steel with Scotch Brite finish.
- All models have right-angled, laser cut side edges to allow flush-fitting joints between units eliminating gaps and possible dirt traps.

EASY TO USE

- Stainless steel burners, each burner consisting of 3 high power gas rails. The gas burners are protected by stainless steel deflection trays to prevent blockage from foreign objects.
- Each ½ module has a separate control for the burner with a flame failure device.
- Cast-iron grids with frontal draining channel for fat and stainless steel splashguard on three sides.
- Multi purpose grids adjust in 3 different levels.
- All gas appliances are supplied for use with natural gas or LPG. Conversion jets supplied as standard.

EASY TO MAINTAIN

- IPX4 water protection.

EASY ON THE ENVIRONMENT

- 98% recyclable by weight.
- CFC free packaging.



Electrolux

**Elco 700HP
Gas Lava Stone Grill Tops**

CGIB010

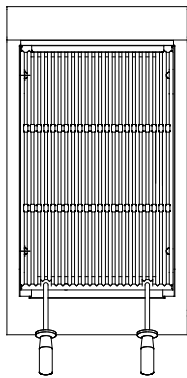
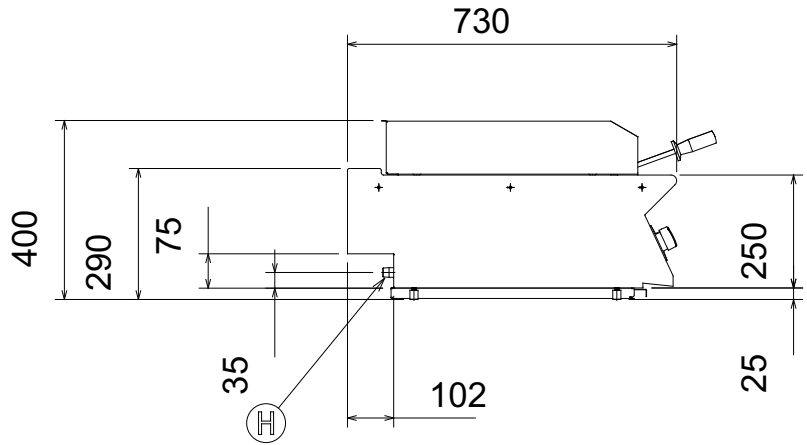
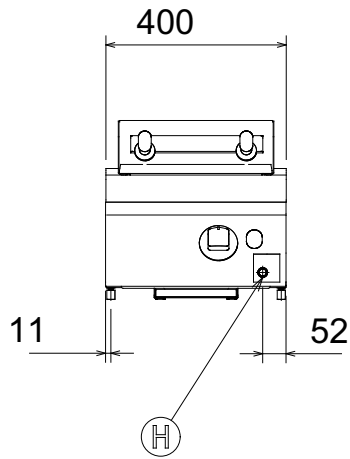
2008-12-20

Subject to change without notice

	QGG400T 178694	QGG800T 178695
TECHNICAL DATA		
Power supply	Gas	Gas
External dimensions - mm		
width	400	800
depth	730	730
height	250	250
Power - kW		
gas	7	14
Net weight - kg.	32	64
INCLUDED ACCESSORIES		
CAST IRON GRID FOR GRILL TOPS	1	2
ACCESSORIES		
2 SIDE COVERING PANELS FOR TOP-D=700MM	216277	216277
CHIMNEY COVER 400MM CLOSED	206269	
CHIMNEY COVER 400MM OPEN	206284	
CHIMNEY COVER 800MM CLOSED		206271
CHIMNEY COVER 800MM OPEN-LARGE CHIMNEY		206273
FRONTAL HANDRAIL 1200 MM	216049	216049
FRONTAL HANDRAIL 1600 MM	216050	216050
FRONTAL HANDRAIL 400 MM	216046	216046
FRONTAL HANDRAIL 800 MM	216047	216047
LARGE HANDRAIL(PORTIONING SHELF)400 MM	216185	216185
LARGE HANDRAIL(PORTIONING SHELF)800 MM	216186	216186
PRESSURE REGULATOR FOR GAS UNITS	927225	927225
S/S GRID+DRAINAGE CHANNELS F. GRILL TOPS	921612	921612
SCRAPER FOR GRID W/DRAINAGE - GRILL TOPS	921614	921614

Elco 700HP
Gas Lava Stone Grill Tops

178694



597844600

LEGEND
H - Gas connection

QGG400T
178694

1/2"

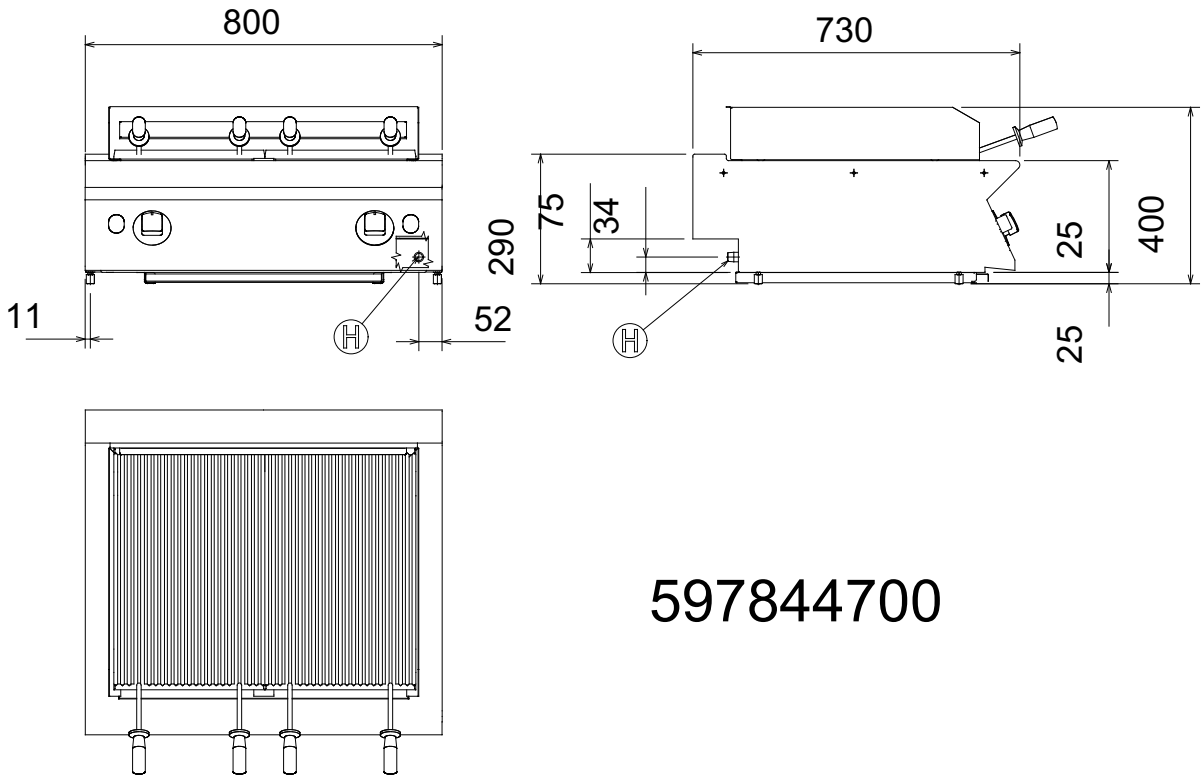
CGIB010

2008-12-20

Subject to change without notice

Elco 700HP
Gas Lava Stone Grill Tops

178695



597844700

LEGEND
H - Gas connection

QGG800T
178695

1/2"

CGIB010

2008-12-20

Subject to change without notice