

## Freestanding Gas Fryers

The Elco 700HP range is comprised of over 100 models designed to guarantee the highest level of performance, reliability, energy saving, safety standards and ergonomic operation. These concepts are reflected in the total modularity of the range that ensures numerous configurations, either free-standing or bridged. Elco 700HP demonstrates how advanced technology can satisfy the needs of the professional caterer. The models detailed on this sheet are Freestanding Gas Fryers.



178713

### EASY TO INSTALL

- Main connections can be accessed via the rear or base of the unit.

### EASY TO CLEAN

- One piece pressed worktop in 1,5mm stainless steel with smooth, rounded corners.
- Front panel in stainless steel with Scotch Brite finish.
- All models have right-angled, laser cut side edges to allow flush-fitting joints between units eliminating gaps and possible dirt traps.

- Oil drainage via a tap into a drainage container positioned under the well thus simplifying the consumed oil management and guaranteeing the operator safety.
- Recessed, double skinned door with pressed internal panel for air-tight closure and better hygiene.
- Feet in stainless steel adjustable up to 50mm in height.

### EASY TO USE

- Working temperature from 105°C to 185°C.

- Additional overheat safety thermostat.

- The "V" shaped wells have the burners attached to the outside allowing an increased life of the oil, greater productivity and an easier cleaning.
- Stainless steel burners with optimized combustion, flame failure device and protected pilot light.
- Appliances are supplied for use with natural gas or LPG. Conversion jets supplied as standard.



**Electrolux**

**Elco 700HP**  
**Freestanding Gas Fryers**

**EASY TO MAINTAIN**  
• IPX4 water protection.

**EASY ON THE ENVIRONMENT**

- 98% recyclable by weight.
- CFC free packaging.

CGEB010

2008-12-20

	<b>QFRG481 178712</b>	<b>QFRG831 178713</b>	<b>QFRG400 178714</b>	<b>QFRG800 178715</b>	<b>QFRG840 178716</b>
<b>TECHNICAL DATA</b>					
Power supply	Gas	Gas	Gas	Gas	Gas
External dimensions - mm					
width	400	800	400	800	800
depth	730	730	730	730	730
height	850	850	850	850	850
height adjustment	50	50	50	50	50
N° of wells	1	2	1	2	1
Usable well dimensions - mm					
width	240	240	240	240	648
depth	380	380	380	380	320
height	235	235	505	505	380
Temperature limiter	●	●	●	●	●
Thermostat range (min-max) - °C	105, 185	105, 185	105, 185	105, 185	105, 185
Well capacity - min/max - lt.	5.5, 7	5.5, 7	13, 15	13, 15	29, 34
Power - kW					
gas	7	14	14	28	27.5
Net weight - kg.	40	50	55	85	85

Subject to change without notice

**Elco 700HP  
Freestanding Gas Fryers**

	<b>QFRG481 178712</b>	<b>QFRG831 178713</b>	<b>QFRG400 178714</b>	<b>QFRG800 178715</b>	<b>QFRG840 178716</b>
<b>INCLUDED ACCESSORIES</b>					
BASKET FOR 14/15 LT FRYERS			1	2	
BASKET FOR 34-36 LT FREESTANDING FRYERS					2
BASKET FOR 7 LT FRYERS	1	2			
LEFT SIDE DOOR FOR OPEN BASE CUPBOARD		1		1	1
RIGHT SIDE DOOR FOR OPEN BASE CUPBOARD	1	1	1	1	1
<b>ACCESSORIES</b>					
2 1/2 BASKETS FOR 14/15 LT FRYERS			921692	921692	
2 SIDE COVERING PANELS FOR TOP-D=700MM	216277	216277	216277	216277	216277
2 SIDE COVERING PANELS H=700 D=700	216000	216000	216000	216000	216000
2 SIDE KICKING STRIPS-CONCRETE INSTALL.	206265	206265	206265	206265	206265
4 FEET FOR CONCRETE INSTALLATION	206210	206210	206210	206210	206210
BASKET FOR 14/15 LT FRYERS			921691	921691	
BASKET FOR 34-36 LT FREESTANDING FRYERS					921609
BASKET FOR 34-36 LT FRYERS					921642
BASKET FOR 7 LT FRYERS	921608	921608			
CHIMNEY COVER 400MM OPEN	206284		206284		
CHIMNEY COVER 800MM OPEN-LARGE CHIMNEY		206273		206273	206273
DEFLECTOR FOR FLOURED PRODUCTS-15L FRYER			921696	921696	
DRAUGHT DIVERTER WITH 120 MM DIAMETER		206126		206126	206126
FILTER FOR FRYER OIL COLLECTION BASIN		921693	921693	921693	921693
FLANGED FEET KIT	206136	206136	206136	206136	206136
FLUE CONDENSER		206246		206246	206246
FRONT.KICK.STRIP F.CONCRETE INST.1000 MM	206150	206150	206150	206150	206150
FRONT.KICK.STRIP F.CONCRETE INST.1200 MM	206151	206151	206151	206151	206151
FRONT.KICK.STRIP F.CONCRETE INST.1600 MM	206152	206152	206152	206152	206152
FRONT.KICK.STRIP F.CONCRETE INST.200 MM	206146	206146	206146	206146	206146
FRONT.KICK.STRIP F.CONCRETE INST.400 MM	206147	206147	206147	206147	206147
FRONT.KICK.STRIP F.CONCRETE INST.800 MM	206148	206148	206148	206148	206148
FRONTAL HANDRAIL 1200 MM	216049	216049	216049	216049	216049
FRONTAL HANDRAIL 1600 MM	216050	216050	216050	216050	216050
FRONTAL HANDRAIL 400 MM	216046	216046	216046	216046	216046
FRONTAL HANDRAIL 800 MM	216047	216047	216047	216047	216047
FRONTAL KICKING STRIP 1000 MM	206177	206177	206177	206177	206177
FRONTAL KICKING STRIP 1200 MM	206178	206178	206178	206178	206178
FRONTAL KICKING STRIP 1600 MM	206179	206179	206179	206179	206179
FRONTAL KICKING STRIP 200 MM	206174	206174	206174	206174	206174
FRONTAL KICKING STRIP 400 MM	206175	206175	206175	206175	206175
FRONTAL KICKING STRIP 800 MM	206176	206176	206176	206176	206176
LARGE HANDRAIL(PORIONING SHELF)400 MM	216185	216185	216185	216185	216185
LARGE HANDRAIL(PORIONING SHELF)800 MM	216186	216186	216186	216186	216186
PAIR OF SIDE KICKING STRIPS	206249	206249	206249	206249	206249
PRESSURE REGULATOR FOR GAS UNITS	927225	927225	927225	927225	927225
RIGHT AND LEFT SIDE HANDRAILS	206240	206240	206240	206240	206240
SEDIMENT TRAY FOR 15L FRYER			206235	206235	
UNCLOGGING ROD F.15LT FRYER DRAIN.PIPE			921695	921695	

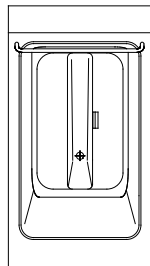
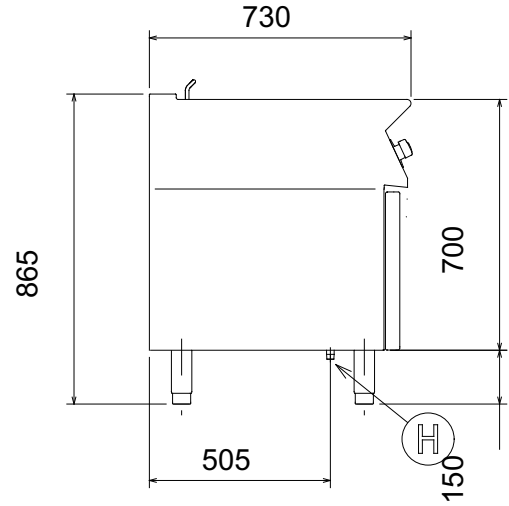
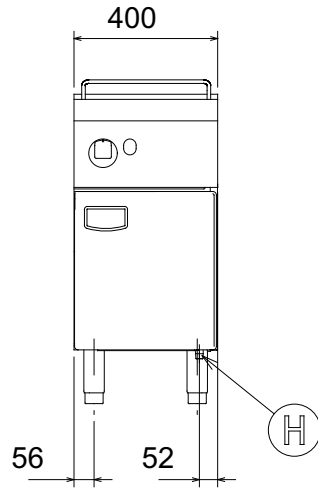
CGEB010

2008-12-20

Subject to change without notice

Elco 700HP  
Freestanding Gas Fryers

178712



597840400

**LEGEND**  
H - Gas connection

QFRG481  
178712

1/2"

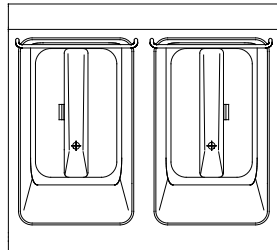
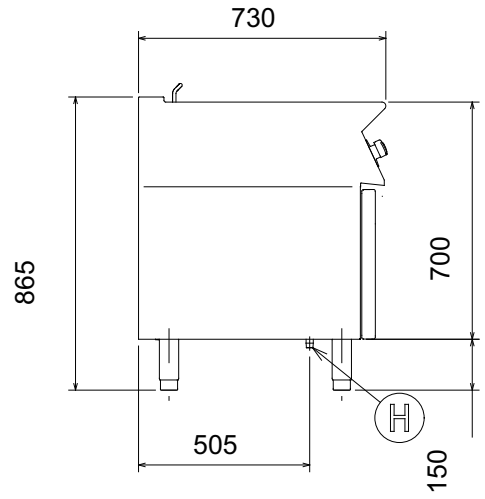
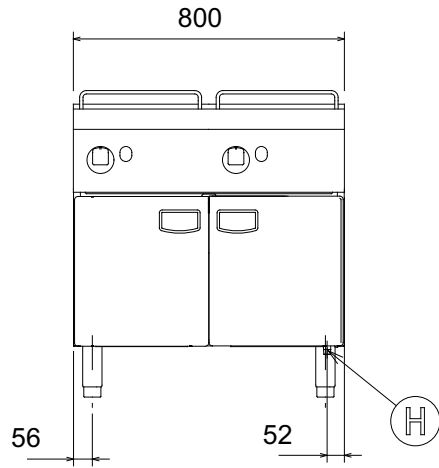
CGEB010

2008-12-20

Subject to change without notice

Elco 700HP  
Freestanding Gas Fryers

178713



597840500

CGEB010

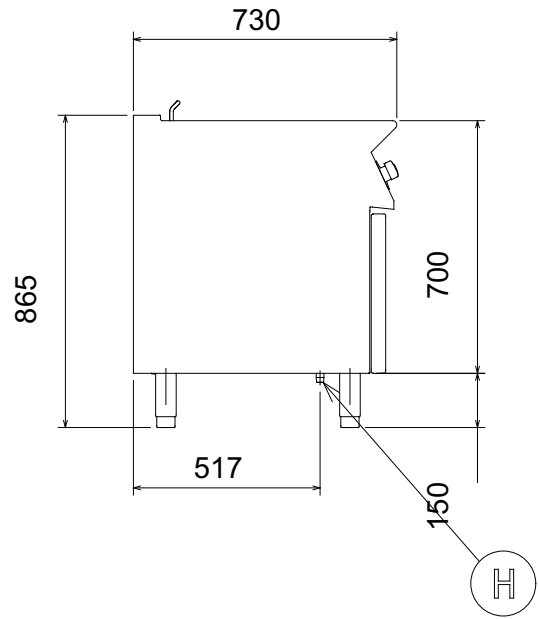
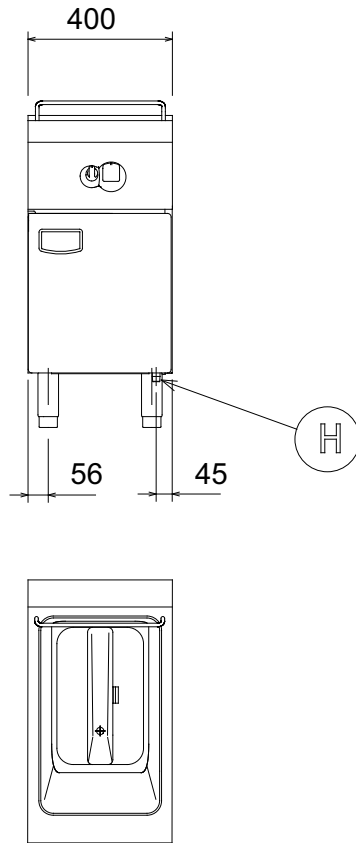
2008-12-20

Subject to change without notice

<b>LEGEND</b> H - Gas connection	<b>QFRG831</b> <b>178713</b>
	1/2"

Elco 700HP  
Freestanding Gas Fryers

178714



597842700

**LEGEND**  
H - Gas connection

QFRG400  
178714

1/2"

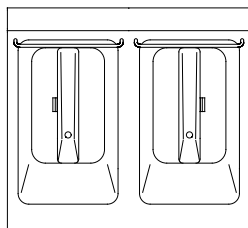
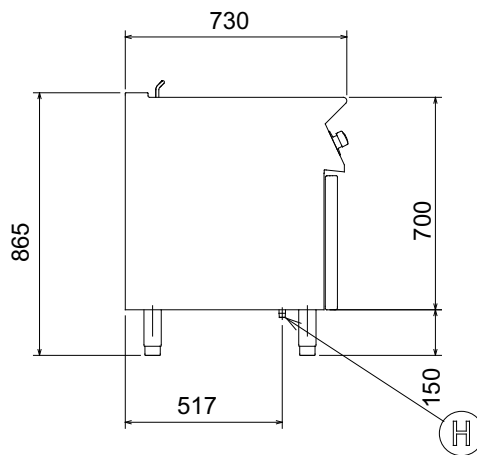
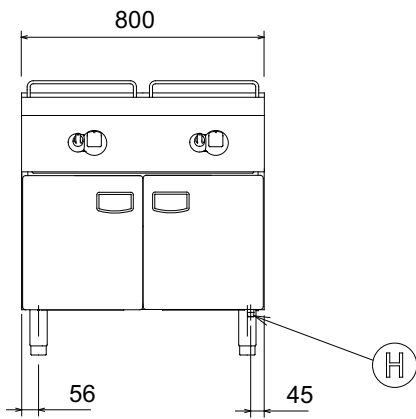
CGEB010

2008-12-20

Subject to change without notice

Elco 700HP  
Freestanding Gas Fryers

178715



597842800

**LEGEND**  
H - Gas connection

**QFRG800**  
**178715**

1/2"

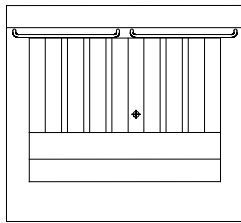
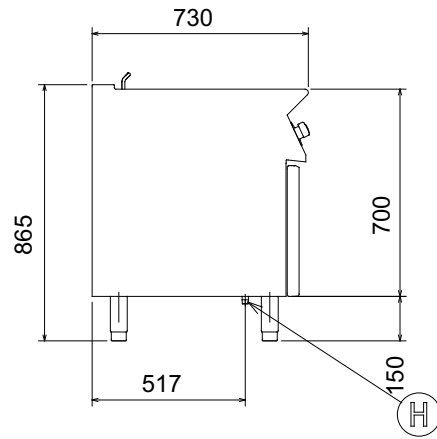
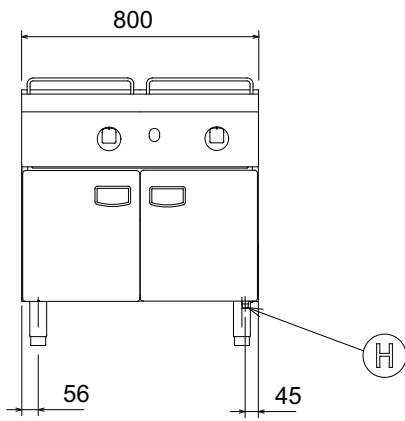
CGEB010

2008-12-20

Subject to change without notice

Elco 700HP  
Freestanding Gas Fryers

178716



597842900

**LEGEND**  
H - Gas connection

QFRG840  
178716

1/2"

CGEB010

2008-12-20

Subject to change without notice