

Electrolux Dishwashing

Undercounter Dishwashers WT30E

The Electrolux Dishwashing range is produced for customers with the highest conceivable demands for good efficiency, economy and ergonomics for dishwashing operations. The product range is comprised of glasswashers, undercounter dishwashers, hood type dishwashers, rack type dishwashers, flight type dishwashers and pot and pan washers. The undercounter dishwasher WT30E range consists of 6 units with a capacity of 40 baskets per hour (medical line model WT30EBDTH has a capacity of 12 baskets per hour).



Model 502111

EASY TO INSTALL AND MAINTAIN

- The WT30E requires 6,85 kW or 5,35 kW, according to the heating elements installed inside the boiler.
- Equipped with drain pump if required to facilitate installation.
- Efficient approved non-return valve in water inlet circuit.
- Required space the same as a conventional domestic dishwasher.
- Simple service from the front.

EASY TO CLEAN

- WT30 has smooth surfaces and a fully pressed double wash tank with rounded corners to facilitate cleaning.
- Wash/rinse arms and nozzles in stainless steel.

- Wash/rinse arms and filter easy to remove.
- No pipes inside the washing chamber.
- Self cleaning cycle, easy to activate.
- 304 AISI stainless steel exterior, door, wash tank, tank filter and screws.

EASY TO USE

- Simple control panel, with digital window for wash and rinse temperature.
- Three dishwashing programs, one for lightly soiled tableware, one for normally soiled items and a third program for heavy soiled items.

- One model, WT30EBDTH, with thermal disinfection thanks to the 30 sec. rinsing cycle at 85°C measured on the items in the basket.
- Built-in rinse aid dispenser for a perfect rinsing result. Some models also with built-in detergent dispenser.
- Pre-arrangement for HACCP system implementation and Energy Management device.
- Atmospheric boiler combined with the rinse booster pump for perfect rinsing performances in terms of sanitation, energy saving (water temperature always constant during rinsing cycles), independence from the water pressure on the network.



Electrolux

**Electrolux Dishwashing
Undercounter Dishwashers WT30E**

CONSTRUCTION FEATURES

- Automatic boiler emptying function.
- Fault auto-diagnosis system.
- Double skinned insulated walls.
- Counterbalanced door.
- All models finished in top quality materials to aid durability.
- Completely closed on the reverse by a cover plate.

EASY ON THE ENVIRONMENT

- Meets the requirement of CE for safety.
- 98% recyclable by weight.
- CFC free packaging.
- Low noise level <65 dBA.
- Developed and produced in ISO 9001 and ISO 14001 certified factory.

	WT30EB 502111	WT30EBD 502112	WT30E 502117	WT30ED 502118	WT30EBD6 502321	WT30EBDTH 502323
TECHNICAL DATA						
Thermometer	●	●	●	●	●	●
Drain pump		●		●	●	●
Rinse Booster Pump	●	●	●	●	●	●
N° of cycles	3	3	3	3	3	3
Dishes capacity/h	720	720	720	720	720	216
Basket capacity/h	40	40	40	40	40	12
External dimensions - mm						
width	600	600	600	600	600	600
depth	612	612	612	612	612	612
height	850	850	850	850	850	850
Cell dimensions - mm						
width	500	500	500	500	500	500
depth	500	500	500	500	500	500
height	335	335	335	335	335	335
Washing cycle						
temperature - °C	55-65	55-65	55-65	55-65	55-65	55-65
tank capacity - lt.	23	23	23	23	23	23
power pump - kW	0.736	0.736	0.736	0.736	0.736	0.736
electrical elements - kW	2.2	2.2	2.2	2.2	2.2	2.2
Hot rinse cycle						
duration - sec.	16	16	16	16	16	35
temperature during rinse - °C	84	84	84	84	84	80-90
water consumption - lt./cycle	3.8	3.8	3.8	3.8	3.8	7.5
Boiler capacity - lt.	12	12	12	12	12	12
Boiler elements - kW	6	6	4.5	4.5	6	6
Water supply						
temperature - °C	50	50	50	50	50	50
hardness - °f	7-14	7-14	7-14	7-14	7-14	7-14
Power - kW						
drain pump		0.034		0.034	0.034	0.034
Rinse pump	0.26	0.26	0.26	0.26	0.26	0.26
total power	6.85	6.85	5.35	5.35	6.85	6.85
Net weight - kg.	68	68	68	68	68	68
INCLUDED ACCESSORIES						
BASKET FOR 18 DINNER PLATES 240MM-YELLOW	1	1	1	1	1	1
BASKET FOR 48 SMALL CUPS/24 CUPS-BLUE	1	1	1	1	1	1
KIT 4 PLASTIC BOXES FOR CUTLERY-YELLOW	1	1	1	1	1	1
ACCESSORIES						
12 L EXTERNAL MANUAL WATER SOFTENER	860412	860412	860412	860412	860412	860412
8 L EXTERNAL AUTOMATIC WATER SOFTENER	860413	860413	860413	860413	860413	860413
BASKET FOR 5 TRAYS 530X325MM-RED	867006	867006	867006	867006	867006	867006
BASKET FOR WINE GLASSES 500X500X246	867019	867019	867019	867019	867019	867019
BASKET SEMI-PROFESSIONAL 500X500X190MM	867024	867024	867024	867024	867024	867024
BRASS INLET VALVE KIT FOR UC AND HT	864000	864000	864000	864000	864000	864000
COVER GRID FOR SMALL/LIGHT ITEMS IN RACK	867016	867016	867016	867016	867016	867016
DETERGENT LEVEL PROBE KIT FOR UC+HT DW	864004	864004	864004	864004	864004	864004
DETERGENT PUMP KIT	864218	864218	864218	864218	864218	864218
DRAIN PUMP KIT FOR 50HZ DISHWASHERS	864012		864012			
EXT.REVERSE OSMOSIS FILT-ATMOSPH. BOILER	864026	864026	864026	864026	864026	864026
FILTER FOR PARTIAL DEMINERALIZATION	864017	864017	864017	864017	864017	864017
FILTER FOR TOTAL DEMINERALIZATION	864015	864015	864015	864015	864015	864015
HACCP PRINTER KIT FOR UC, HT AND POTW	864002	864002	864002	864002	864002	864002
INTEGRATED HACCP KIT FOR UC, HT AND POTW	864001	864001	864001	864001	864001	864001
KIT 4 CASTORS F.DOUBLE SKINNED UNDERC.DW	864008	864008	864008	864008	864008	864008
KIT TO MEASURE TOTAL/PART.WATER HARDNESS	864050	864050	864050	864050	864050	864050
RINSE AID LEVEL PROBE KIT FOR UC+HT DW	864005	864005	864005	864005	864005	864005
STAND FOR UNDERCOUNTER DISHWASHER	860418	860418	860418	860418	860418	860418
WIRE BASKET FOR 12 PLATES UP TO 320 MM	867014	867014	867014	867014	867014	867014

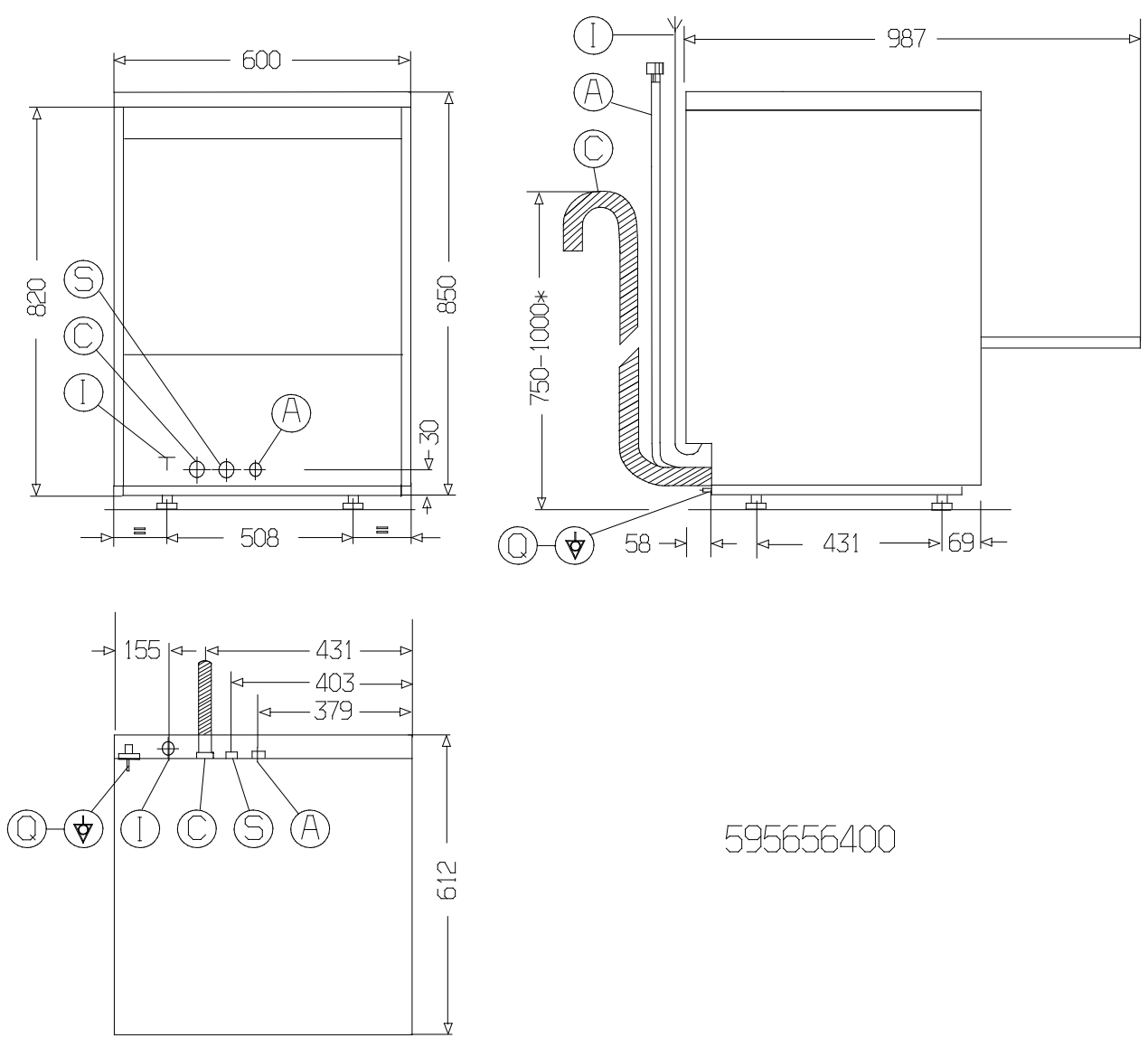
IBC010

2007-06-12

Subject to change without notice

**Electrolux Dishwashing
Undercounter Dishwashers WT30E**

502111, 502323, 502321, 502118, 502117, 502112



595656400

IBC010

2007-06-12

	WT30EB 502111	WT30EBD 502112	WT30E 502117	WT30ED 502118	WT30EBD6 502321	WT30EBDTH 502323
LEGEND						
A - Hot water inlet	G 3/4"	G 3/4"	G 3/4"	G 3/4"	G 3/4"	G 3/4"
C - Water drain	40 mm	20.5mm	40 mm	20.5mm	20.5mm	20.5mm
I - Electrical connection	400 V, 3N, 50	400 V, 3N, 50	400 V, 3N, 50	400 V, 3N, 50	400 V, 3N, 60	400 V, 3N, 50
S - Connection for detergent dispenser	1	1	1	1	1	1

Subject to change without notice