

# Electrolux Dishwashing

## Hood Type WT55

The Electrolux dishwashing range is produced for customers with the highest conceivable demands for good efficiency, economy and ergonomics for dishwashing operation. The product range consists on glasswashers, undercounter dishwashers, hood type dishwashers, rack type dishwashers, flight type dishwashers and pot and pan washers. The models detailed on this sheet are hood type dishwashers WT55 with a capacity of 65 baskets per hour.



Model 505038

### EASY TO INSTALL

- The WT55 requires 10,5 KW for hot water supply connection.
- Rinse booster pump available to be installed on site.
- External connecting board protected by a waterproof plastic box.
- Only one cable for electrical connection.
- Simple service from the front and from the side.
- Corner or straight flow installation.
- Suitable to be connected to tabling and roller conveyors included in the Electrolux handling system range in order to create a functional and ergonomic layout.

### EASY TO MAINTAIN

- Smooth surfaces and fully pressed wash tank with rounded corners to facilitate cleaning.

- Wash/rinse arms and filter easy to remove.
- The external panels are in AISI 304 stainless steel for easier cleaning and hygienic reasons.
- No pipes inside the washing chamber.
- Large filter above the water surface and extra strainer in the tank bottom at the pump inlet.
- Height adjustable feet.

### EASY TO USE

- Dishwashing starts automatically when the hood is closed.
- Spring balanced hood with safety switch and easy to grip handle.
- Built in rinse water heater to increase the temperature of the final rinse water. Final rinse only starts when the correct temperature has been reached.

- Built in rinse aid dispenser and box for a perfect rinsing result.
- Pre-arrangements for a drain pump and automatic detergent dispenser.
- Electronic control of the functions.
- Simple control panel with digital thermometers.
- Fault auto diagnosis system.
- Three dishwashing programs: one for light soiled tableware, one for normally soiled items and one for heavily soiled items.
- Suitable for GN containers.

### CONSTRUCTION FEATURES

- All models finished in top quality materials to aid durability.
- Hood single skinned construction.
- Wash/rinse arms and nozzles in stainless steel.
- In compliance with CE requirements.



**Electrolux**

**Electrolux Dishwashing  
Hood Type WT55**

	<b>WT55 505038</b>	<b>WT5560 505039</b>
<b>TECHNICAL DATA</b>		
N° of cycles	3	3
Dishes capacity/h	1170	1170
Basket capacity/h	65	65
Door/hood thickness	Single	Single
External dimensions - mm		
width	748	748
depth	833	833
height	1515	1515
Duration cycles - sec.	55/75/300	55/75/300
Cell dimensions - mm		
width	585	585
depth	560	560
height	409	409
Washing cycle		
temperature - °C	55-65	55-65
tank capacity - lt.	42	42
power pump - kW	0.8	0.8
electrical elements - kW	3	3
Hot rinse cycle		
duration - sec.	16	16
temperature during rinse - °C	80-90	80-90
water consumption - lt./cycle	3.8	3.8
Boiler capacity - lt.	12	12
Boiler elements - kW	9	9
Water supply		
temperature - °C	50	50
hardness - °f	7-14	7-14
Power - kW		
total power	10.2	10.2
Net weight - kg.	98	98
<b>INCLUDED ACCESSORIES</b>		
BASKET FOR 18 DINNER PLATES 240MM-YELLOW	2	2
BASKET FOR 48 SMALL CUPS/24 CUPS-BLUE	1	1
KIT 4 PLASTIC BOXES FOR CUTLERY-YELLOW	1	1
<b>ACCESSORIES</b>		
20 L EXTERNAL MANUAL WATER SOFTENER	860430	860430
BASKET FOR 6 TRAYS 530X370MM-RED	866743	866743
BASKET SEMI-PROFESSIONAL 500X500X190MM	867024	867024
BRASS INLET VALVE KIT FOR UC AND HT	864000	864000
COVER GRID FOR SMALL/LIGHT ITEMS IN RACK	867016	867016
DETERGENT LEVEL PROBE KIT FOR UC+HT DW	864004	864004
DETERGENT PUMP KIT	864218	864218
EXT.REVERSE OSMOSIS FILT-PRESSURE BOILER	864027	864027
FILTER FOR PARTIAL DEMINERALIZATION	864017	864017
FILTER FOR TOTAL DEMINERALIZATION	864015	864015
HACCP PRINTER KIT FOR UC, HT AND POTW	864002	864002
INTEGRATED HACCP KIT FOR UC, HT AND POTW	864001	864001
KIT PRESSURE BOOSTER FOR RINSING WATER	860415	860415
KIT TO MEASURE TOTAL/PART.WATER HARDNESS	864050	864050
RINSE AID LEVEL PROBE KIT FOR UC+HT DW	864005	864005

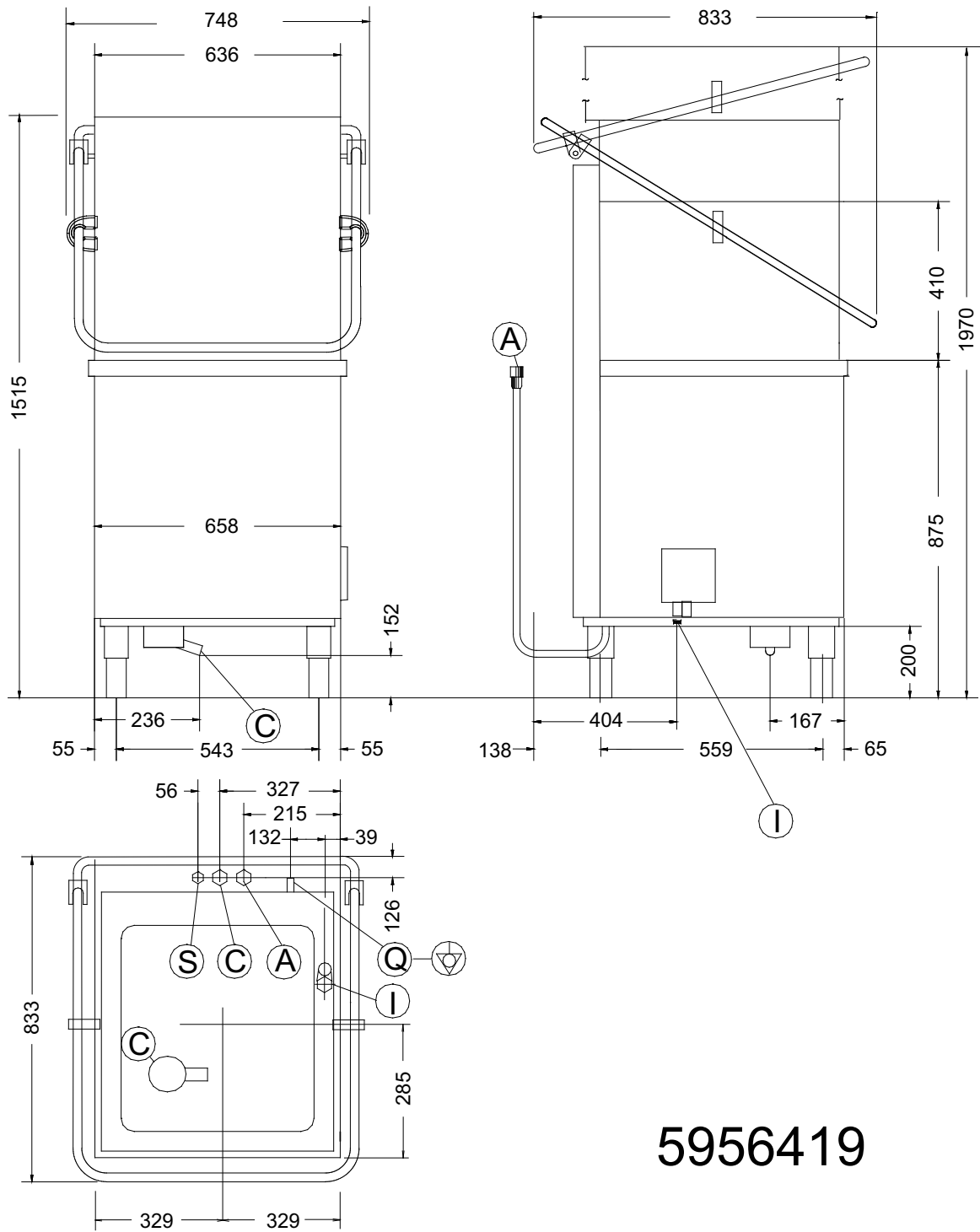
IDA020

2007-03-06

Subject to change without notice

**Electrolux Dishwashing  
Hood Type WT55**

505038, 505039



**5956419**

LEGEND	WT55 505038	WT5560 505039
	A - Hot water inlet	G 3/4"
C - Water drain	40mm	40mm
I - Electrical connection	400 V, 3N, 50	400 V, 3N, 60

IDA020

2007-03-06

Subject to change without notice