

Electrolux Dishwashing

Hood Type WT65 E

The Electrolux Dishwashing range is produced for customers with the highest conceivable demands for good efficiency, economy and ergonomics for dishwashing operation. The product range comprises glasswashers, undercounter dishwashers, hood type dishwashers, rack type dishwashers, flight type dishwashers and pot and pan washers. The hood type dishwasher WT65E range consists of units with different voltages and has a capacity of 65 baskets per hour. The WT65E is available for cold or hot water connection, has insulated or uninsulated hood and manual hood opening.



504156

EASY TO INSTALL

- Only one cable for electrical connection.
- External connecting board, protected by a waterproof plastic box.
- Simple service from the front and from the side panels.
- Pre-arrangements for drain pump available as an optional accessory that is possible to install on site.
- Pre-arrangements automatic detergent dispenser. For machines without detergent dispenser it is possible to add it on site.
- Pre-arrangement for connection to an energy management device.
- Corner or straight flow installation.
- Available on request model pre-arranged for HACCP implementation (both basic as well as integrated system).

- Suitable to be connected to the tabling and roller conveyors (with appropriate kit) - included in Electrolux Handling System range - to create a functional and ergonomic lay-out.

EASY TO CLEAN

- Smooth surfaces and wash tank with rounded corners.
- Easily removable washing & rinsing arms, filters and rack support.
- Rack support guide pressed in the tank body.
- No pipes inside the washing chamber.
- Self cleaning cycle, easy to activate.
- Electronic control of the functions incorporating fault diagnosis system, number of cycles counter and number of drain cycles counter.

- Simple control panel with digital thermometers indicating both wash and rinse temperatures.
- Four dishwashing programs: one for glass and lightly soiled items, one for normally soiled items, one for heavily soiled items and the fourth program is continuous.
- Height adjustable rounded feet.
- IPX5 water protection.

EASY TO USE

- Less hood friction thanks to a high sturdy plastic guide.
- Double skin hood ceiling and completely closed and insulated back for less heat and noise dispersion.
- Pre-arrangement for connection to an Energy Management device.



Electrolux

**Electrolux Dishwashing
Hood Type WT65 E**

- Available, on request, model pre-arranged for HACCP implementation (both basic as well as integrated system). High efficiency non-return (air gap class A) valve in water inlet circuit.
- Main internal components made in AISI 304 stainless steel as well as the external panels.
- Automatic boiler emptying function.
- Washing pump with automatic emptying function.

- Fault auto-diagnosis system.
- In compliance with CE requirements.

EASY ON THE ENVIRONMENT

- Low noise level.
- CFC free packaging.
- 97% recyclable by weight.
- Developed and produced in ISO 9001 and ISO 14001 certified factory.

- Atmospheric boiler combined with the rinse booster pump for perfect rinsing performances in terms of sanitation, energy saving (water temperature always constant during rinsing cycles), independence from the water pressure on the network.

	WT65E 504156	WT65EB 504157	WT65EI 504158	WT65EBI 504166	WT65E60 504169	WT65EB60 504170	WT65EBID 504222
TECHNICAL DATA							
Rinse Booster Pump	●	●	●	●	●	●	●
Detergent dispenser							●
N° of cycles	4	4	4	4	4	4	4
Dishes capacity/h	1180	1180	1180	1180	1180	1180	1180
Basket capacity/h	65	65	65	65	65	65	65
Door/hood thickness	Single	Single	Double	Double	Single	Single	Double
External dimensions - mm							
width	735	735	735	735	735	735	735
depth	815	815	815	815	815	815	815
height	1507	1507	1507	1507	1507	1507	1507
Cell dimensions - mm							
width	590	590	590	590	590	590	590
depth	560	560	560	560	560	560	560
height	409	409	409	409	409	409	409
Washing cycle							
temperature - °C	55-65	55-65	55-65	55-65	55-65	55-65	55-65
tank capacity - lt.	40	40	40	40	40	40	40
power pump - kW	1.5	1.5	1.5	1.5	1.5	1.5	1.5
electrical elements - kW	3	3	3	3	3	3	3
Hot rinse cycle							
duration - sec.	16	16	16	16	16	16	16
temperature during rinse - °C	84	84	84	84	84	84	84
water consumption - lt./cycle	3.8	3.8	3.8	3.8	3.8	3.8	3.8
Boiler capacity - lt.	12	12	12	12	12	12	12
Boiler elements - kW	9	10.5	9	10.5	9	10.5	10.5
Rinsing							
water consumption lt./h	3.8	3.8	3.8	3.8	3.8	3.8	3.8
Water supply							
temperature - °C	50	50	50	50	50	50	50
hardness - °f	7-14	7-14	7-14	7-14	7-14	7-14	7-14
Power - kW							
Rinse pump	0.35	0.35	0.35	0.35	0.35	0.35	0.35
total power	10.6	12.1	10.6	12.1	10.6	12.1	12.1
Net weight - kg.	111.5	111.5	128	128	111.5	111.5	128

**Electrolux Dishwashing
Hood Type WT65 E**

	WT65E 504156	WT65EB 504157	WT65EI 504158	WT65EBI 504166	WT65E60 504169	WT65EB60 504170	WT65EBID 504222
INCLUDED ACCESSORIES							
BASKET FOR 18 DINNER PLATES 240MM-YELLOW	2	2	2	2	2	2	2
BASKET FOR 48 SMALL CUPS/24 CUPS-BLUE	1	1	1	1	1	1	1
BASKET FOR BULK CUTLERY-BROWN	1	1	1	1	1	1	1
ACCESSORIES							
20 L EXTERNAL MANUAL WATER SOFTENER	860430	860430	860430	860430	860430	860430	860430
BASKET FOR 6 TRAYS 530X370MM-RED	866743	866743	866743	866743	866743	866743	866743
BASKET SEMI-PROFESSIONAL 500X500X190MM	867024	867024	867024	867024	867024	867024	867024
BRASS INLET VALVE KIT FOR UC AND HT	864000	864000	864000	864000	864000	864000	864000
COVER GRID FOR SMALL/LIGHT ITEMS IN RACK	867016	867016	867016	867016	867016	867016	867016
DETERGENT LEVEL PROBE KIT FOR UC+HT DW	864004	864004	864004	864004	864004	864004	864004
DETERGENT PUMP KIT	864218	864218	864218	864218	864218	864218	
DRAIN PUMP KIT FOR 50HZ DISHWASHERS	864199	864199	864199	864199			864199
EXT.REVERSE OSMOSIS FILT-ATMOSPH. BOILER	864026	864026	864026	864026	864026	864026	864026
FILTER FOR PARTIAL DEMINERALIZATION	864017	864017	864017	864017	864017	864017	864017
FILTER FOR TOTAL DEMINERALIZATION	864015	864015	864015	864015	864015	864015	864015
HACCP PRINTER KIT FOR UC, HT AND POTW	864002	864002	864002	864002	864002	864002	864002
INTEGRATED HACCP KIT FOR UC, HT AND POTW	864001	864001	864001	864001	864001	864001	864001
KIT TO MEASURE TOTAL/PART.WATER HARDNESS	864050	864050	864050	864050	864050	864050	864050
RINSE AID LEVEL PROBE KIT FOR UC+HT DW	864005	864005	864005	864005	864005	864005	864005

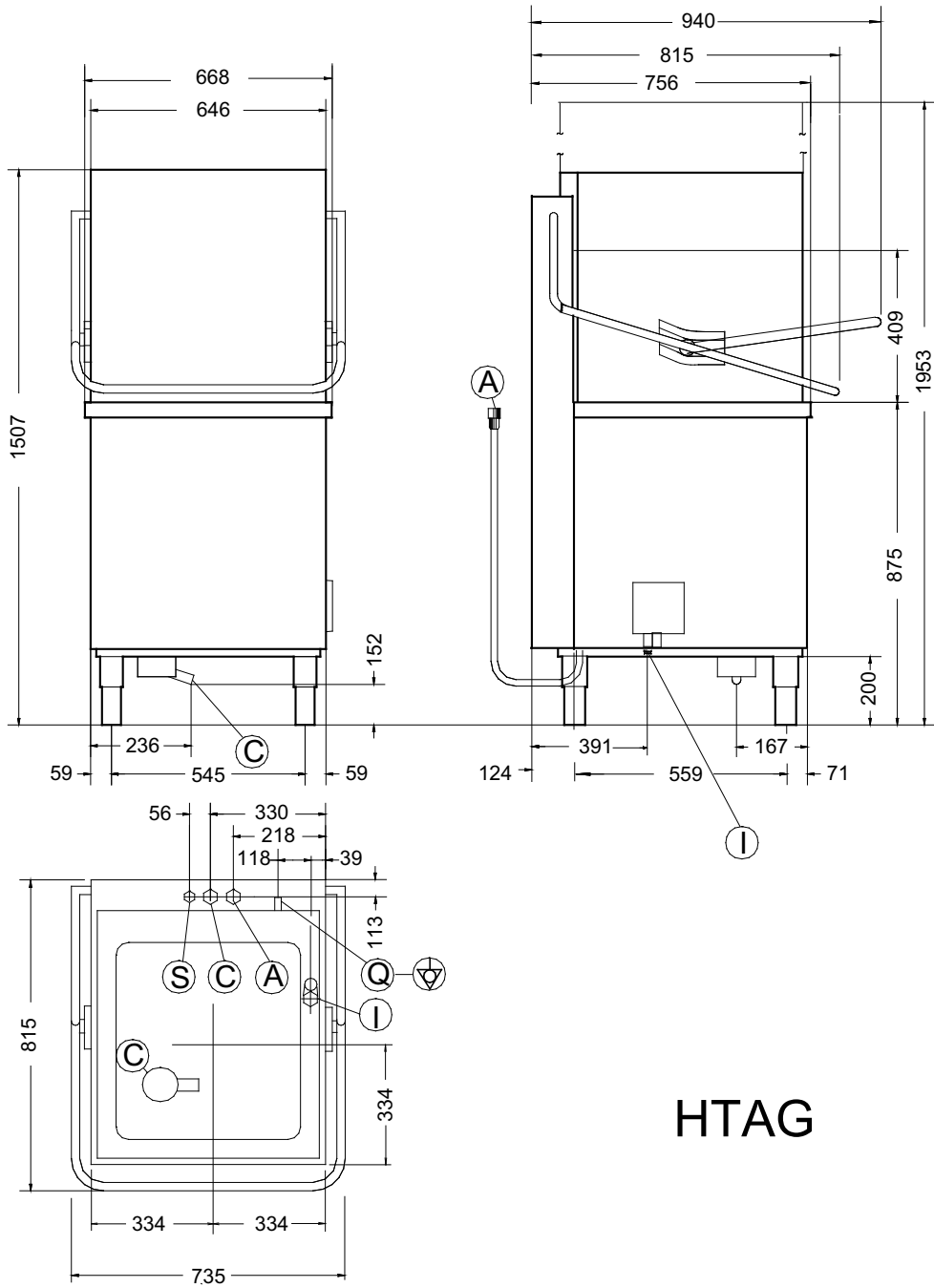
IDB010

2007-08-01

Subject to change without notice

**Electrolux Dishwashing
Hood Type WT65 E**

504156, 504222, 504170, 504169, 504166, 504158, 504157



HTAG

IDB010

2007-08-01

Subject to change without notice

	WT65E 504156	WT65EB 504157	WT65EI 504158	WT65EBI 504166	WT65E60 504169	WT65EB60 504170	WT65EBID 504222
LEGEND							
A - Hot water inlet	G 3/4"	G 3/4"	G 3/4"	G 3/4"	G 3/4"	G 3/4"	G 3/4"
C - Water drain	40mm	40mm	40mm	40mm	40mm	40mm	40mm
I - Electrical connection	400 V, 3N, 50	400 V, 3N, 50	400 V, 3N, 50	400 V, 3N, 50	400 V, 3N, 60	400 V, 3N, 60	400 V, 3N, 50