

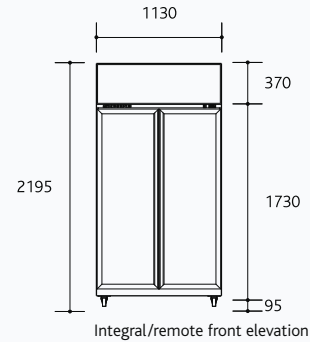
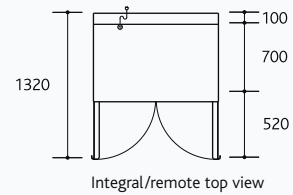


SKF1000 - SOLID/GLASS DOORS

Model	Weight (kg)	Integral/Remote	Chiller/Freezer
SKF1000	283	Integral	Freezer
SKF1300r	248	Remote	Freezer

	External (mm)	Internal (mm)	Integral
Height*	2195	1560	Gross Volume 865 litres
Width	1130	980	Total Shelf Area 2.43m ² (inc. floor)
Depth	700**	555	Floor Area 0.791m ²

- Remote refrigeration duty 1280 Watts
- 15 Amp power supply
- Minimum 200mm clear ventilation space required above cabinet top



SKF1000
2 DOOR

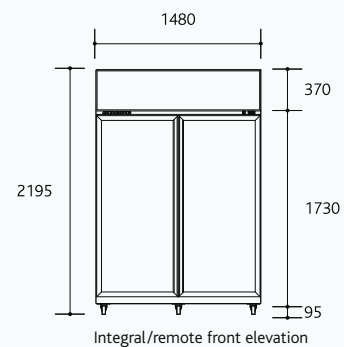
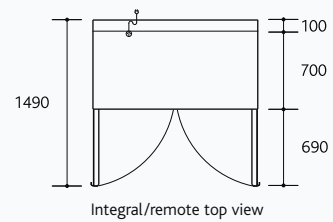


SKF1300 - SOLID/GLASS DOORS

Model	Weight (kg)	Integral/Remote	Chiller/Freezer
SKF1300	335	Integral	Freezer
SKF1300r	305	Remote	Freezer

	External (mm)	Internal (mm)	Integral
Height*	2195	1560	Gross Volume 1175 litres
Width	1480	1330	Total Shelf Area 23.31m ² (inc. floor)
Depth	700**	555	Floor Area 1.036m ²

- Remote refrigeration duty 1640 Watts
- Twin Cyclone™ refrigeration systems, 2 x 10 Amp power supplies
- Minimum 200mm clear ventilation space required above cabinet top



SKF1300
2 DOOR

*Height includes castors **Depth excludes 100mm back airflow spacer
NB: The refrigeration unit protrudes 15mm above the sign panel on the SKF1000 making the cabinet's overall height 2210mm