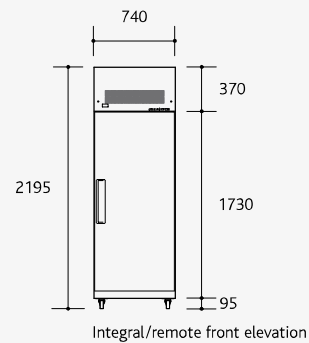
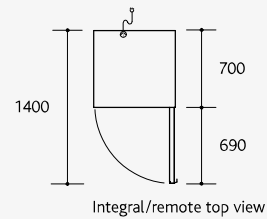




TMEF650 - SOLID/GLASS DOOR



Model	Weight (kg)	Integral/Remote	Chiller/Freezer
TMEF650	199	Integral	Freezer
TMEF650r	175	Remote	Freezer

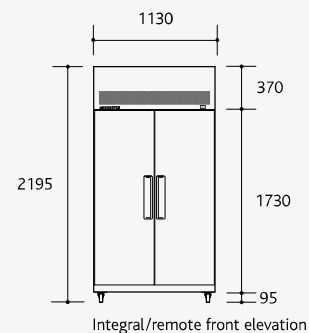
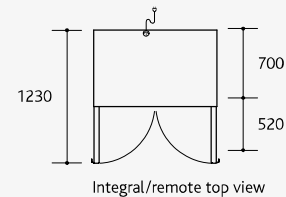
	External (mm)	Internal (mm)		Integral
Height*	2195	1560	Gross Volume	610 litres
Width	740	640	Total Shelf Area	1.76m <sup>2</sup> (inc. floor)
Depth	700	570	Floor Area	0.518m <sup>2</sup>

- Remote refrigeration duty 820 Watts
- One vivid, full length, vertical centre light (36 Watts) in glass door cabinets only
- Minimum 200mm clear ventilation space required above cabinet top

TMEF650  
1 DOOR



TMEF1000 - SOLID/GLASS DOORS



Model	Weight (kg)	Integral/Remote	Chiller/Freezer
TMEF1000	230	Integral	Freezer
TMEF1000r	200	Remote	Freezer

	External (mm)	Internal (mm)		Integral
Height*	2195	1560	Gross Volume	980 litres
Width	1130	1030	Total Shelf Area	2.86m <sup>2</sup> (inc. floor)
Depth	700	570	Floor Area	0.791m <sup>2</sup>

- Remote refrigeration duty 1280 Watts
- One vivid, full length, vertical centre light (36 Watts) in glass door cabinets only
- Minimum 200mm clear ventilation space required above cabinet top

TMEF1000  
2 DOOR

\*Height includes castors

NB: The refrigeration unit protrudes 15mm above the sign panel on the TMEF1000 making the cabinet's overall height 2210mm