

## Freestanding Electric Fry Tops

The Elco 700HP range is comprised of over 100 models designed to guarantee the highest level of performance, reliability, energy saving, safety standards and ergonomic operation. These concepts are reflected in the total modularity of the range that ensures numerous configurations, either free-standing or bridged. Elco 700HP demonstrates how advanced technology can satisfy the needs of the professional caterer. The models detailed on this sheet are Freestanding Electric Fry Tops.



178669 + doors

### EASY TO INSTALL

- All top models are provided with a service duct to facilitate installation and can be mounted on open base cupboards or bridging supports.
- Main connections can be accessed via the rear or base of the unit.

### EASY TO CLEAN

- One piece pressed worktop in 1,5mm stainless steel with smooth, rounded corners.
- Front panel in stainless steel with Scotch Brite finish.
- All models have right-angled, laser cut side edges to allow flush-fitting joints between units eliminating gaps and possible dirt traps.

### EASY TO USE

- Cooking surface in mild steel or chromed: available smooth or ribbed for optimum grilling results.
- The standard Fry Top cooking plate is in 15mm thick special mild steel for even temperature distribution. Ideal for grilling, browning and the radiant heat allows thicker cuts of meat to be cooked perfectly.
- The chromium surface means no absorption of cooking juices into the plate resulting in higher output of product and more flexibility. Very little energy is lost to the kitchen environment due to the reflective qualities of the chromium surface, making the work area more comfortable.
- Splashback in stainless steel included as standard.

- Cooking surface with large drain hole for fat drainage into a 3,5-lt grease collection tray, extractable from open base (for models on base) placed under the cooking area.
- Elements in incoloy positioned under the cooking plate.
- Safety thermostat on models with thermostatic control (temperature markings in °C).
- Very fast heat-up time to maximum temperature.

### EASY TO MAINTAIN

- IPX4 water protection.

### EASY ON THE ENVIRONMENT

- 98% recyclable by weight.
- CFC free packaging.



**Electrolux**

**Elco 700HP**  
**Freestanding Electric Fry Tops**

	<b>QREV400 178665</b>	<b>QREV401 178666</b>	<b>QREV400C 178667</b>	<b>QREV800 178668</b>	<b>QREV813 178669</b>	<b>QREV800C 178670</b>
<b>TECHNICAL DATA</b>						
Power supply	Electric	Electric	Electric	Electric	Electric	Electric
External dimensions - mm						
width	400	400	400	800	800	800
depth	730	730	730	730	730	730
height	850	850	850	850	850	850
Cooking surface						
material	Mild Steel	Mild Steel	Chromium Plated	Mild Steel	Mild Steel	Chromium Plated
Thermostatic	●	●	●	●	●	●
Cooking surface dimensions - mm						
width	330	330	330	730	730	730
depth	540	540	540	540	540	540
Working temperature - min/max - °C	110, 300	110, 300	110, 300	110, 300	110, 300	110, 300
Storage cupboard - mm						
width	330	330	330	680	680	680
depth	640	640	640	640	640	640
height	420	420	420	420	420	420
Electrical power - kW	4.5	4.5	4.5	9	9	9
Net weight - kg.	50	50	50	80	80	80
Supply voltage	400 V, 3N, 50/60	400 V, 3N, 50/60	400 V, 3N, 50/60	400 V, 3N, 50/60	400 V, 3N, 50/60	400 V, 3N, 50/60
Cooking surface						
smooth	●		●	●		●
ribbed		●				
smooth and ribbed					●	
<b>INCLUDED ACCESSORIES</b>						
SCRAPER FOR SMOOTH PLATE FRY TOP			1			1
<b>ACCESSORIES</b>						
2 DRAWERS FOR OPEN BASE	216255	216255	216255	216255	216255	216255
2 SIDE COVERING PANELS FOR TOP-D=700MM	216277	216277	216277	216277	216277	216277
2 SIDE COVERING PANELS H=700 D=700	216000	216000	216000	216000	216000	216000
2 SIDE KICKING STRIPS-CONCRETE INSTALL.	206265	206265	206265	206265	206265	206265
2 SUPPORTS+RUNNERS FOR 4 GN 1/1&2/1 CONT	206244	206244	206244	206244	206244	206244
4 FEET FOR CONCRETE INSTALLATION	206210	206210	206210	206210	206210	206210
4 WHEELS (2 WITH BRAKE)				206188	206188	206188
CENTRAL SUPPORT FOR 800MM/1200MM CUPB.				206245	206245	
CHIMNEY COVER 400MM OPEN	206284	206284	206284			
CHIMNEY COVER 800MM OPEN-LARGE CHIMNEY				206273	206273	206273
ELECTRIC HEATING KIT FOR CUPBOARDS	206259	206259	206259	206259	206259	206259
FLANGED FEET KIT	206136	206136	206136	206136	206136	206136
FRONT.KICK.STRIP F.CONCRETE INST.1000 MM	206150	206150	206150	206150	206150	206150
FRONT.KICK.STRIP F.CONCRETE INST.1200 MM	206151	206151	206151	206151	206151	206151
FRONT.KICK.STRIP F.CONCRETE INST.1600 MM	206152	206152	206152	206152	206152	206152
FRONT.KICK.STRIP F.CONCRETE INST.200 MM	206146	206146	206146	206146	206146	206146
FRONT.KICK.STRIP F.CONCRETE INST.400 MM	206147	206147	206147	206147	206147	206147
FRONT.KICK.STRIP F.CONCRETE INST.800 MM	206148	206148	206148	206148	206148	206148
FRONTAL HANDRAIL 1200 MM	216049	216049	216049	216049	216049	216049
FRONTAL HANDRAIL 1600 MM	216050	216050	216050	216050	216050	216050
FRONTAL HANDRAIL 400 MM	216046	216046	216046	216046	216046	216046
FRONTAL HANDRAIL 800 MM	216047	216047	216047	216047	216047	216047
FRONTAL KICKING STRIP 1000 MM	206177	206177	206177	206177	206177	206177
FRONTAL KICKING STRIP 1200 MM	206178	206178	206178	206178	206178	206178
FRONTAL KICKING STRIP 1600 MM	206179	206179	206179	206179	206179	206179
FRONTAL KICKING STRIP 200 MM	206174	206174	206174	206174	206174	206174
FRONTAL KICKING STRIP 400 MM	206175	206175	206175	206175	206175	206175
FRONTAL KICKING STRIP 800 MM	206176	206176	206176	206176	206176	206176
LARGE HANDRAIL(PORIONING SHELF)400 MM	216185	216185	216185	216185	216185	216185
LARGE HANDRAIL(PORIONING SHELF)800 MM	216186	216186	216186	216186	216186	216186
LEFT SIDE DOOR FOR OPEN BASE CUPBOARD	216195	216195	216195	216195	216195	216195
PAIR OF SIDE KICKING STRIPS	206249	206249	206249	206249	206249	206249
RIGHT AND LEFT SIDE HANDRAILS	206240	206240	206240	206240	206240	206240
RIGHT SIDE DOOR FOR OPEN BASE CUPBOARD	216194	216194	216194	216194	216194	216194
SCRAPER FOR RIBBED PLATE FRY TOP		164257			164257	
SCRAPER FOR SMOOTH PLATE FRY TOP	164255			164255	164255	
SIDE WALL FOR CUPBOARD	206252	206252	206252	206252	206252	206252
WATER COLUMN EXTENSION FOR 700 LINE	206291	206291	206291	206291	206291	206291
WATER COLUMN WITH SWIVEL ARM	206289	206289	206289	206289	206289	206289

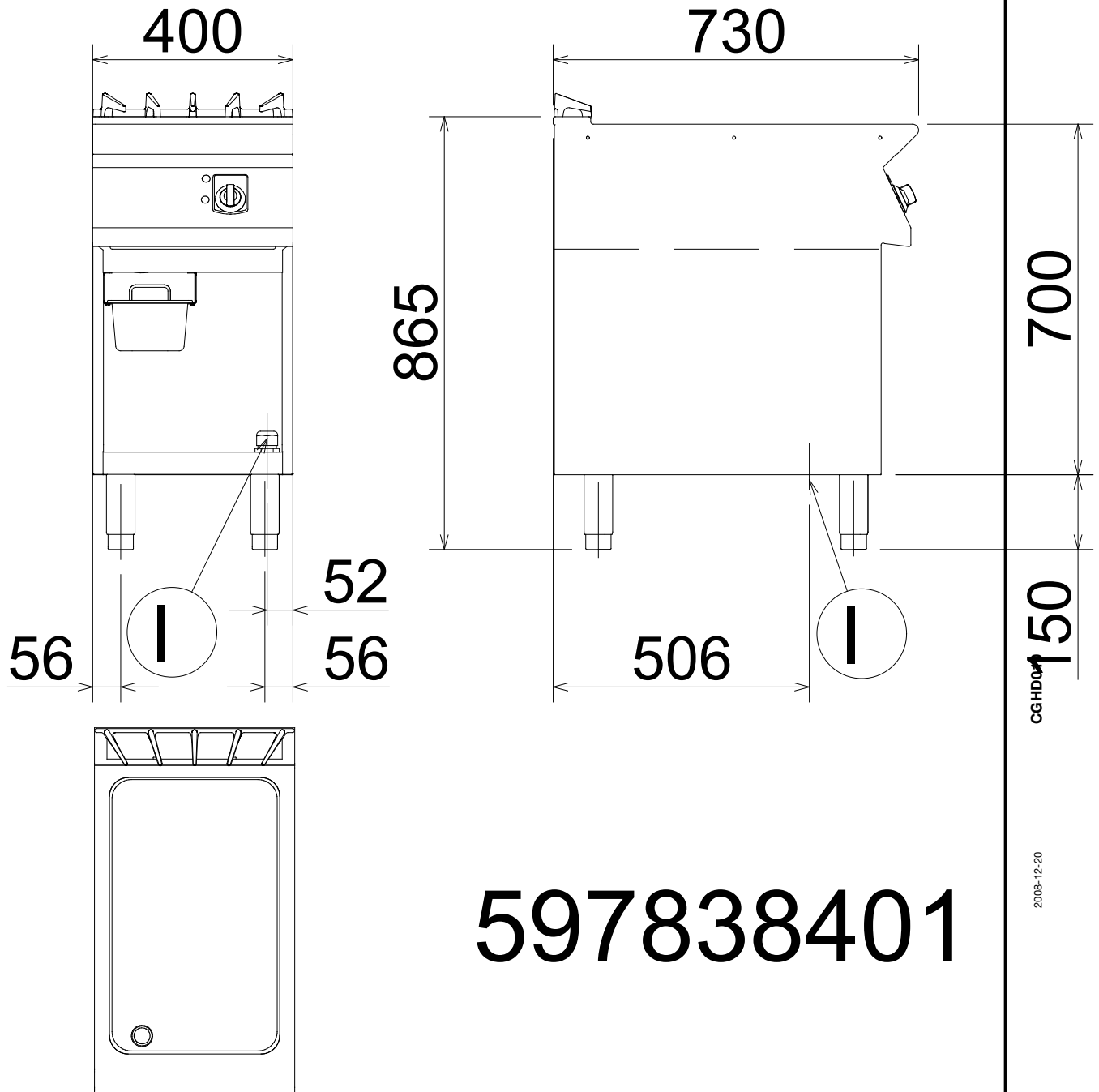
CGHD010

2008-12-20

Subject to change without notice

Elco 700HP  
Freestanding Electric Fry Tops

178665, 178667, 178666



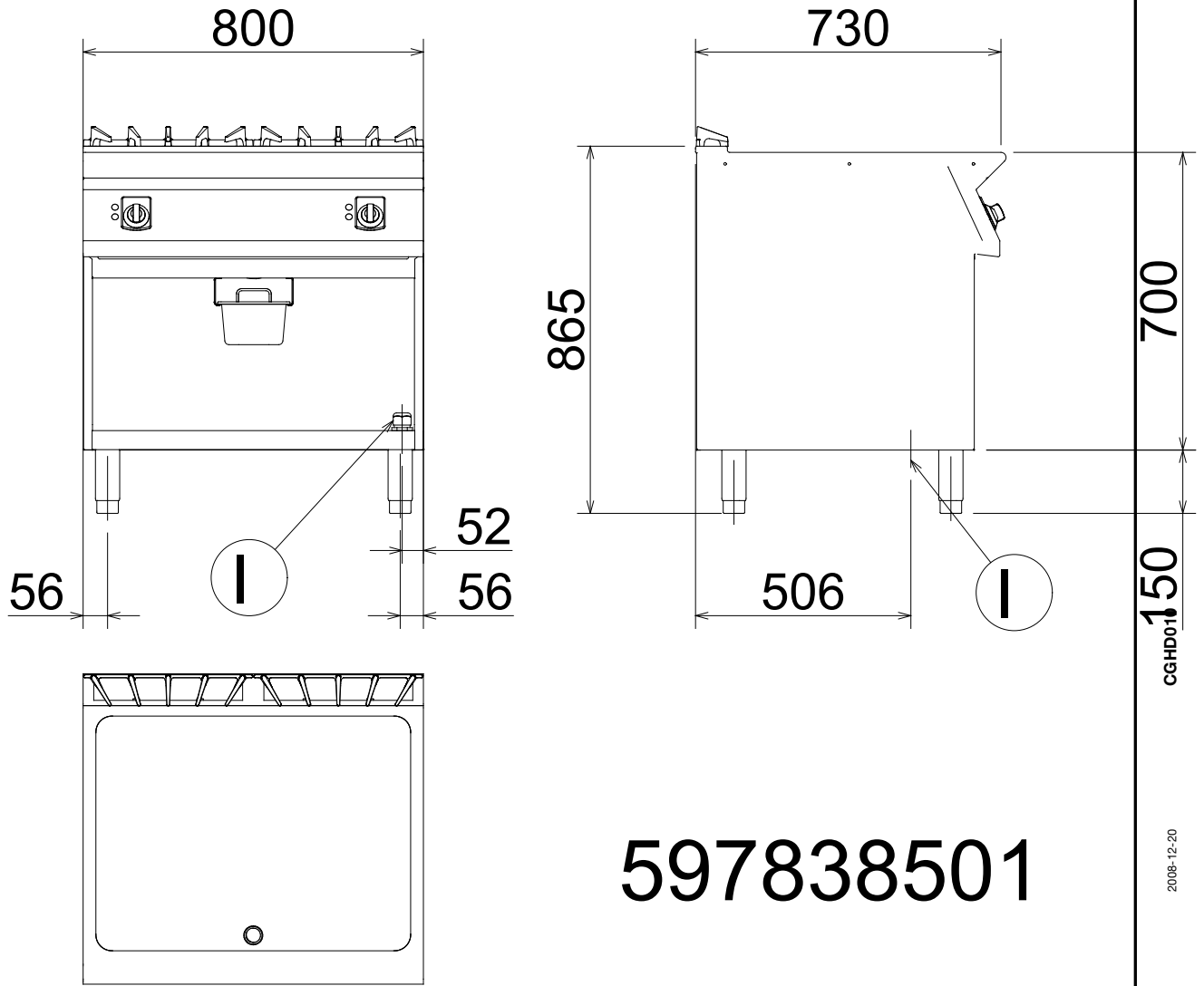
2008-12-20

Subject to change without notice

LEGEND	QREV400 178665	QREV401 178666	QREV400C 178667
	I - Electrical connection	400 V, 3N, 50/60	400 V, 3N, 50/60

Elco 700HP  
Freestanding Electric Fry Tops

178668, 178670, 178669



2008-12-20

Subject to change without notice

LEGEND	QREV800 178668	QREV813 178669	QREV800C 178670
	I - Electrical connection	400 V, 3N, 50/60	400 V, 3N, 50/60