

MODELS: WSMS/C-914, 1330, 1885 & 2286

APPLICATIONS

- Functional and attractive way to promote, prepare and store sandwich products. Gantry matches standard Woodson profiles.

STANDARD FEATURES

- Refrigerated ingredient well with cold air blowing under and over 100mm 1/3 gastronorm pans
- Undercounter refrigerator with 2 shelves per door
- Unique full-length back mounted evaporator coil
- Self contained refrigeration system using R-404a refrigerant, slides out for easy servicing
- Double glazed gantry with front profile to match hot and cold food displays; available in straight glass (WSMS series) or curved glass (WSMC series)
- All stainless steel construction including interior surfaces in 2B finish and fridge doors with magnetic gaskets
- Supplied on 130mm removable castors for ease of cleaning or plinth mounting
- Adjustable micro-processor control with digital temperature display

OPTIONS

- Polycarbonate cutting boards, additional shelves, runners & gastronorm pans available

WSMS/C-914 - 4 x 1/3 pans wide, 1 door

Kw 0.57 W 914 D 800 H 1360

WSMS/C-1330 - 7 x 1/3 pans wide, 2 door

Kw 0.57 W 1330 D 800 H 1360

WSMS/C-1885 - 10 x 1/3 pans wide, 3 door

Kw 0.68 W 1885 D 800 H 1360

WSMS/CS-2286 - 13 x 1/3 pans wide, 4 door

Kw 0.68 W 2286 D 800 H 1360

Dealer:

woodson®

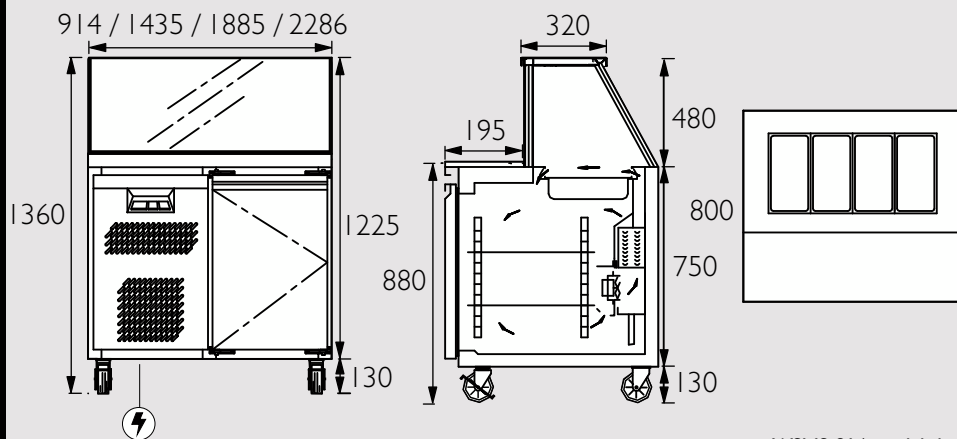
PROFESSIONAL FOOD SERVICE EQUIPMENT

sandwich preparation fridge



WSMS-1885 model shown

WSMS/C



WSMS-914 model shown

We reserve the right to alter specifications of products without notice

For details of your local dealer contact:

QLD, NT, WA, International
 ph 07 3344 2444 fax 07 3345 6403
 email fse@stoddart.com.au

NSW, ACT
 ph 02 9817 7700 fax 02 9817 7800
 email gladesville@stoddart.com.au

VIC, SA, TAS
 ph 03 9543 9922 fax 03 9543 9944
 email melbourne@stoddart.com.au

Distributed by: Tom Stoddart Pty Ltd, 215 Jackson Road Sunnybank Hills, Qld 4109 Australia